

NOTES

1. CO-ORDINATION OF THIS INSTALLATION WITH HEATING, VENTILATION, AIR CONDITIONING & ELECTRICAL WORK IS BY OTHERS.
2. RAILTECH REQUIRES WRITTEN APPROVAL OF ALL SHOP DRAWINGS BEFORE STARTING PRODUCTION.
3. CUT-OUTS FOR SPRINKLERS, COLUMNS THERMOSTATS, SWITCHES, ETC. ARE DONE IN FIELD BY OTHERS.

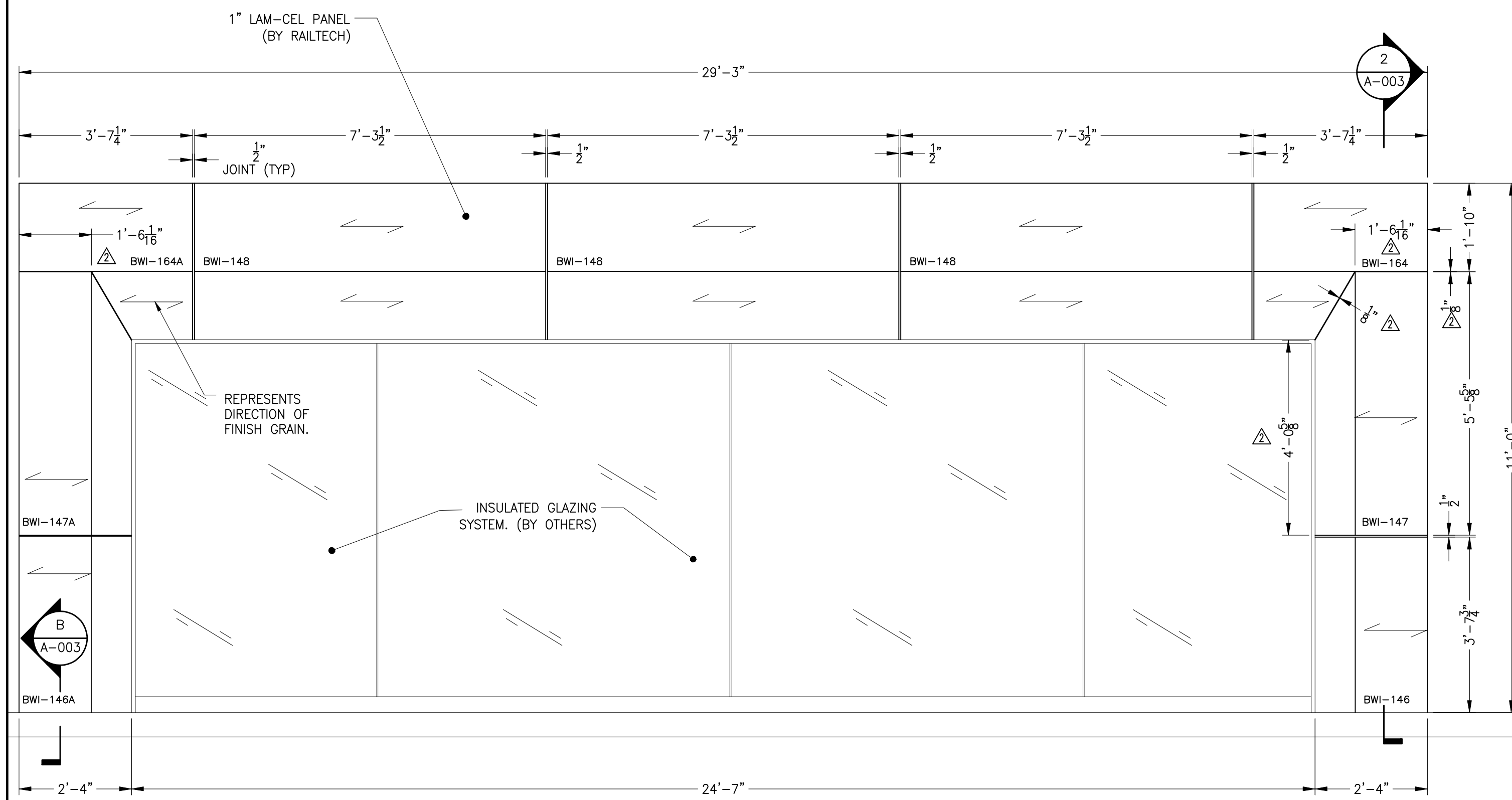
PANEL COMPOSITION

FACE: 0.062"
16 GAUGE
#304 STAINLESS STEEL

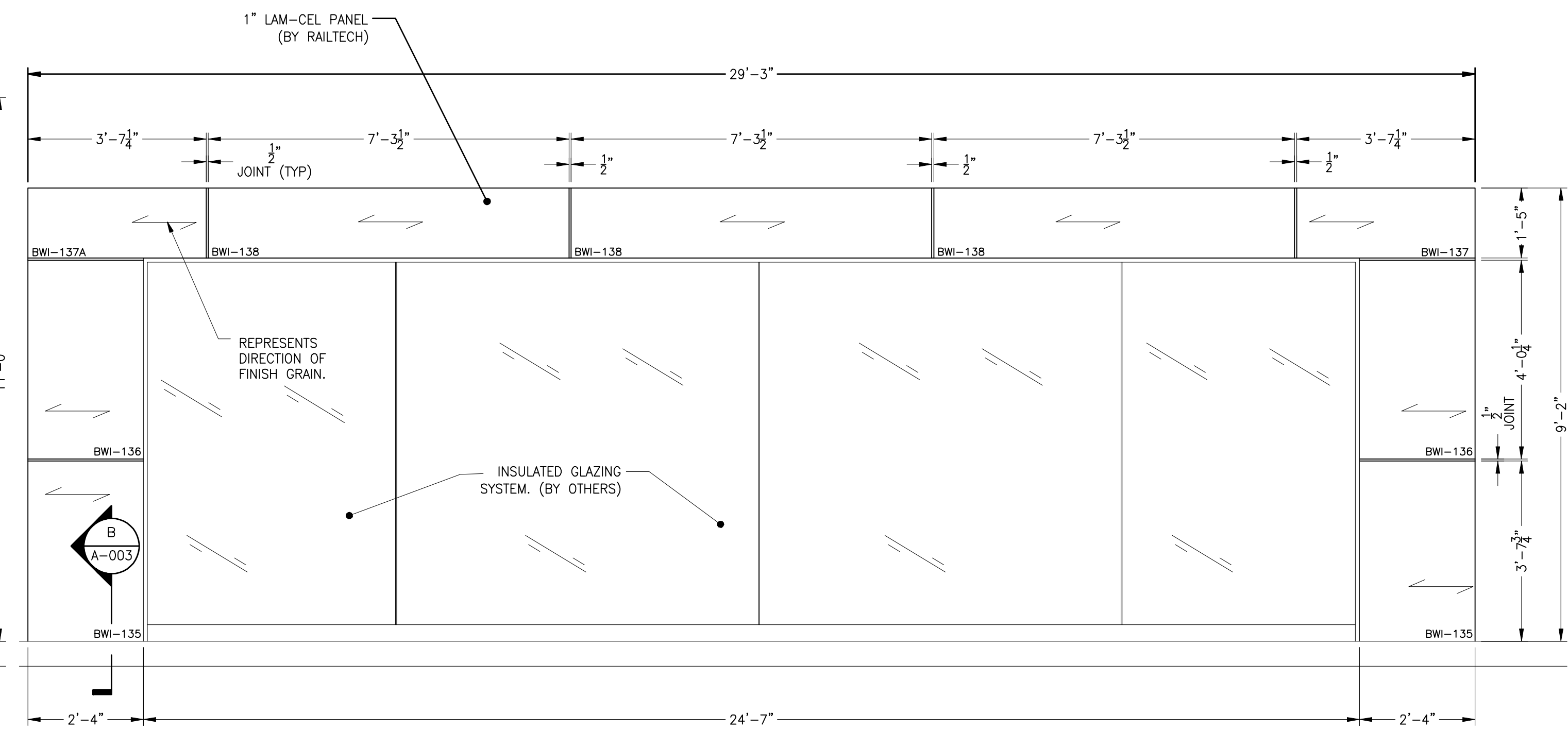
FINISH: #4 BRUSH

CORE: 3/8" CELL SIZE
COMMERCIAL GRADE
ALUMINUM HONEYCOMB
PERFORATED

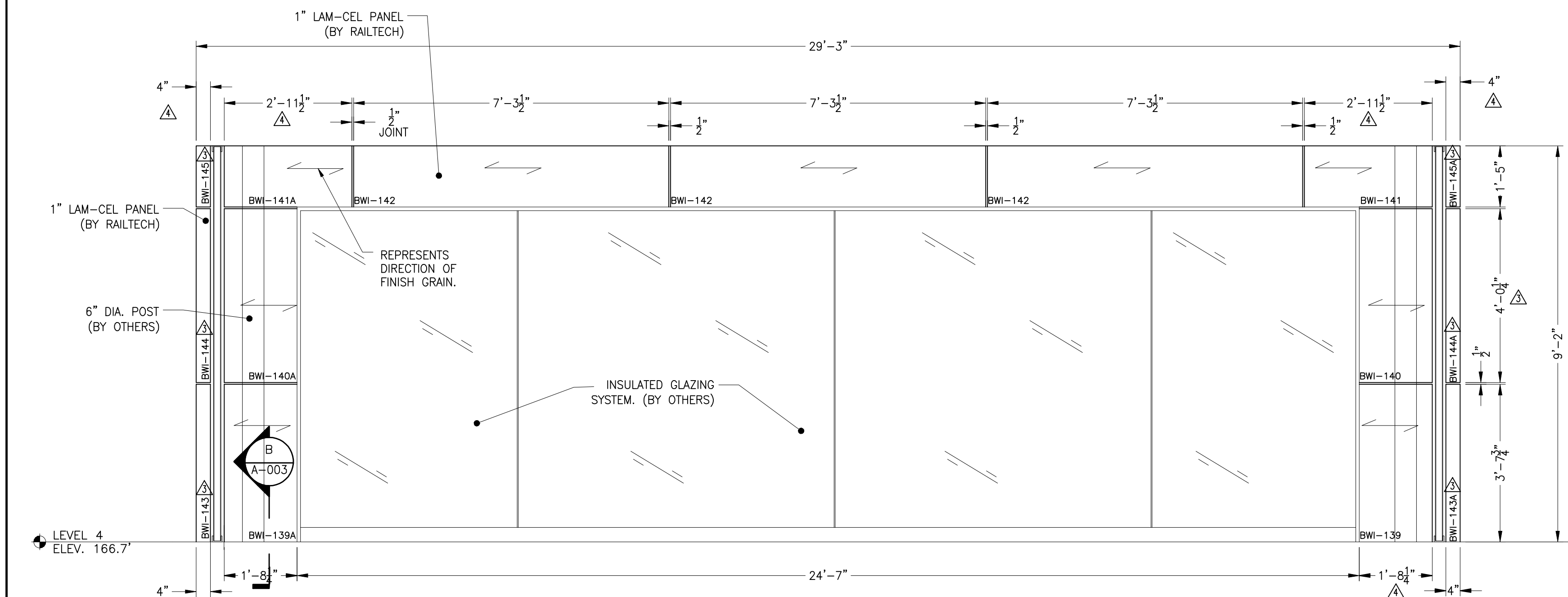
BACKER: 0.040" EPOXY
PRIMED ALUMINUM



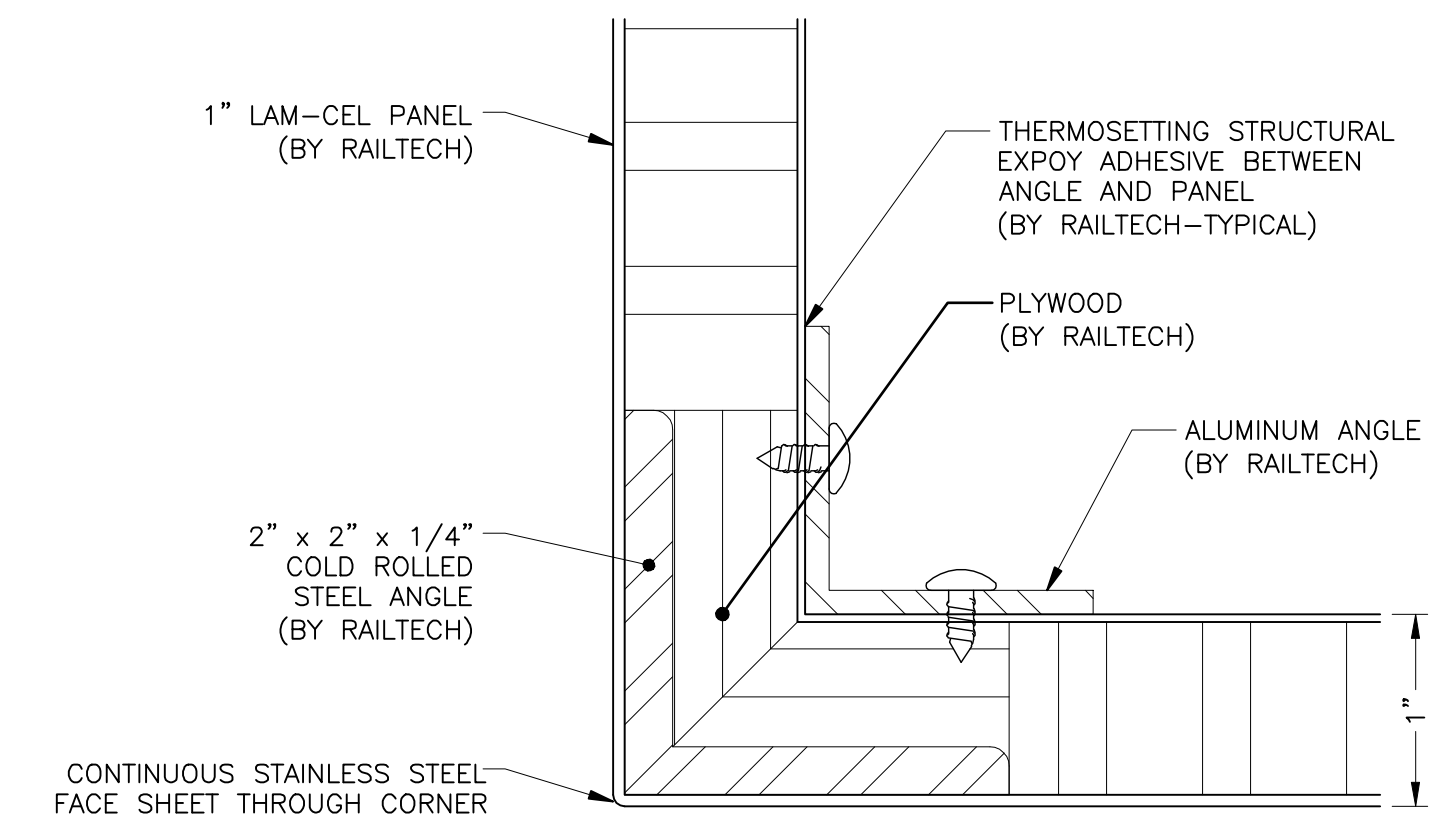
1 PARTIAL EXTERIOR ELEVATION - TYPICAL
@ CURBSIDE BAGGAGE CHECK-IN
A-001 SCALE: 1/2" = 1'-0"



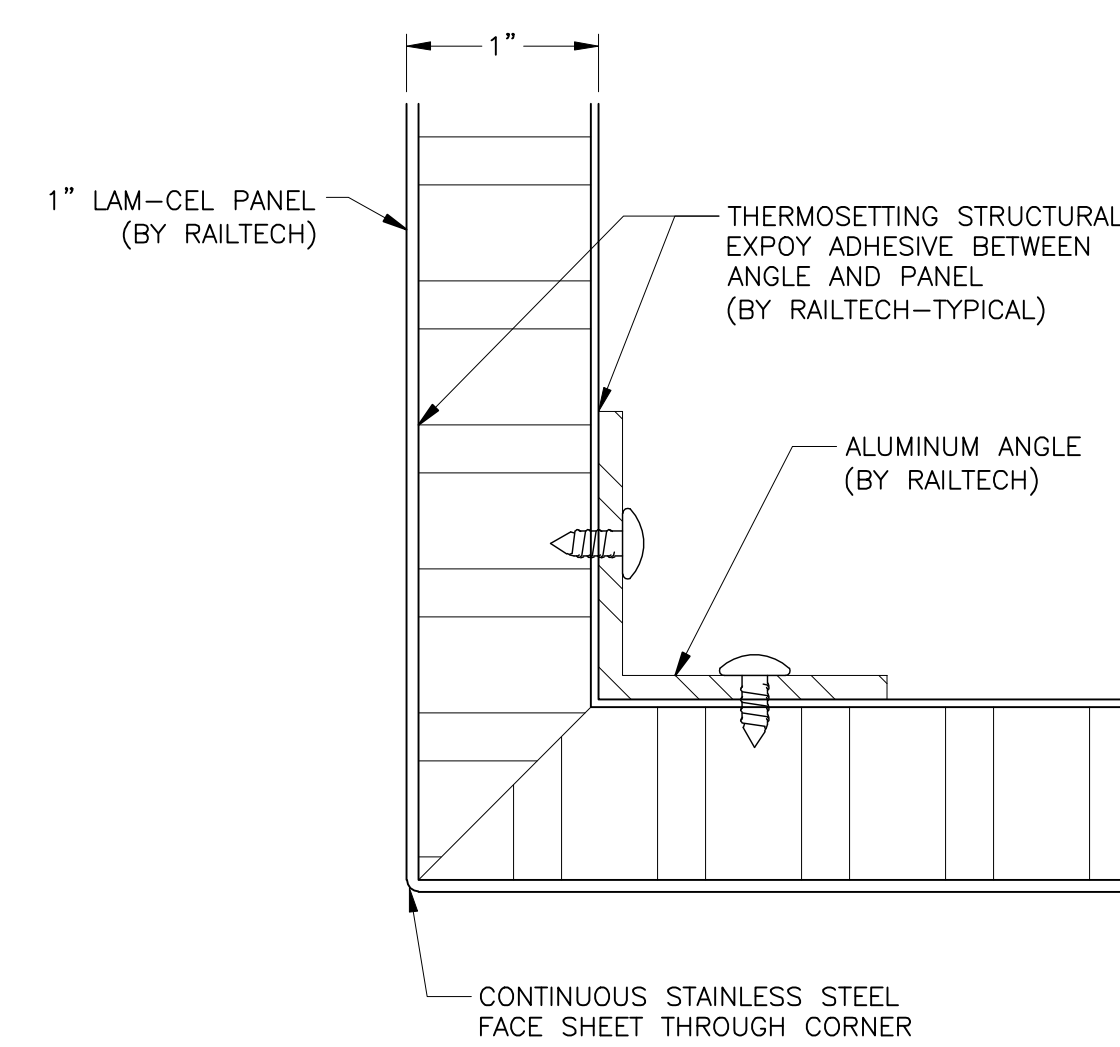
2 PARTIAL EXTERIOR ELEVATION - TYPICAL
@ CURBSIDE BAGGAGE CHECK-IN
A-001 SCALE: 1/2" = 1'-0"



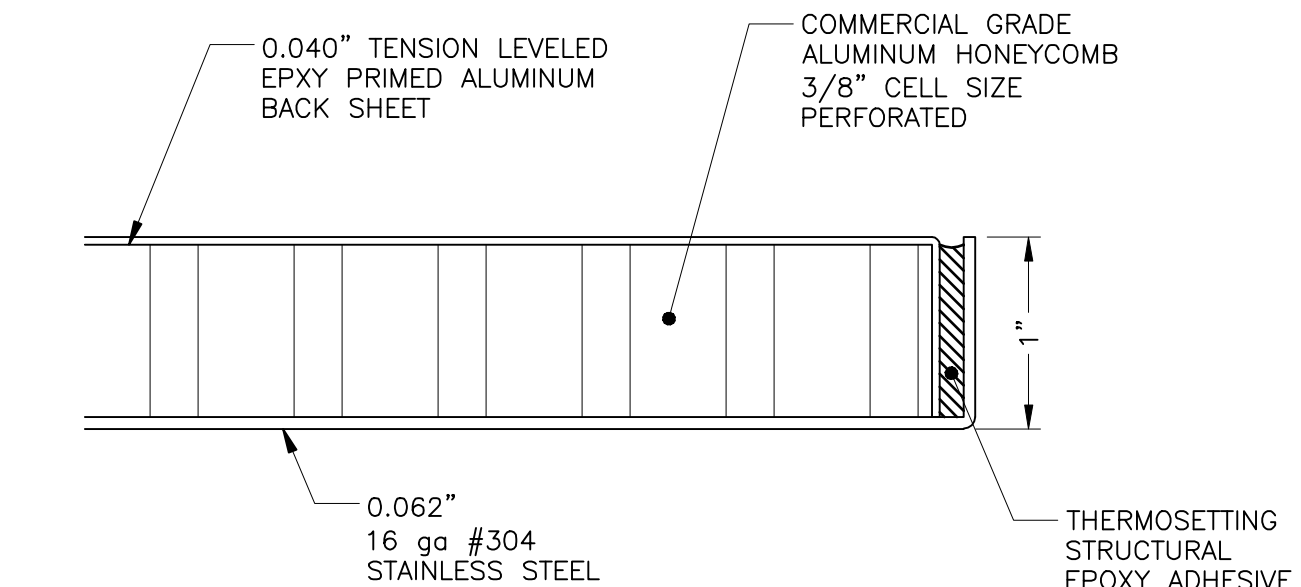
3 PARTIAL INTERIOR SECTION - TYPICAL
@ CURBSIDE BAGGAGE CHECK-IN
A-001 SCALE: 1/2" = 1'-0"



TYPICAL HIGH IMPACT CORNER DETAIL
C BELOW 3'-8" A.F.F.
SCALE: FULL SIZE



B TYPICAL CORNER DETAIL
SCALE: FULL SIZE



C TYPICAL PANEL END DETAIL
SCALE: FULL SIZE

REV.	DESCRIPTION	BY	DATE	APP
△	REVISED AS REQUESTED	JA	06.12.04	M.M
△	REVISED DIMENSION AND GRAIN DIRECTION	JA	30.10.04	M.M
△	REVISED JOINTS & TAGS	JA	04.08.04	M.M
△	ADDED DETAIL C & PANEL JOINTS, TAGS	JA	12.05.04	M.M

LAMCEL
entrances

Part of the Railtech Architectural Group
(814)457-4760 www.lamcel.com info@lamcel.com

client

project

BALTIMORE WASHINGTON INTERNATIONAL AIRPORT

contract number

10199

drawing title

ELEVATION, SECTIONS AND DETAILS

drawn date

J. ALBERT 19 NOV. 2003

verified date

approved date

M. McDONALD 28 NOV. 2003

scale drawing number revision

AS NOTED A-006 4