

NOTES

- CO-ORDINATION OF THIS INSTALLATION WITH HEATING, VENTILATION, AIR CONDITIONING & ELECTRICAL WORK IS BY OTHERS.
- RAILTECH REQUIRES WRITTEN APPROVAL OF ALL SHOP DRAWINGS BEFORE STARTING PRODUCTION.
- CUT-OUTS FOR SPRINKLERS, COLUMNS THERMOSTATS, SWITCHES, ETC. ARE DONE IN FIELD BY OTHERS.

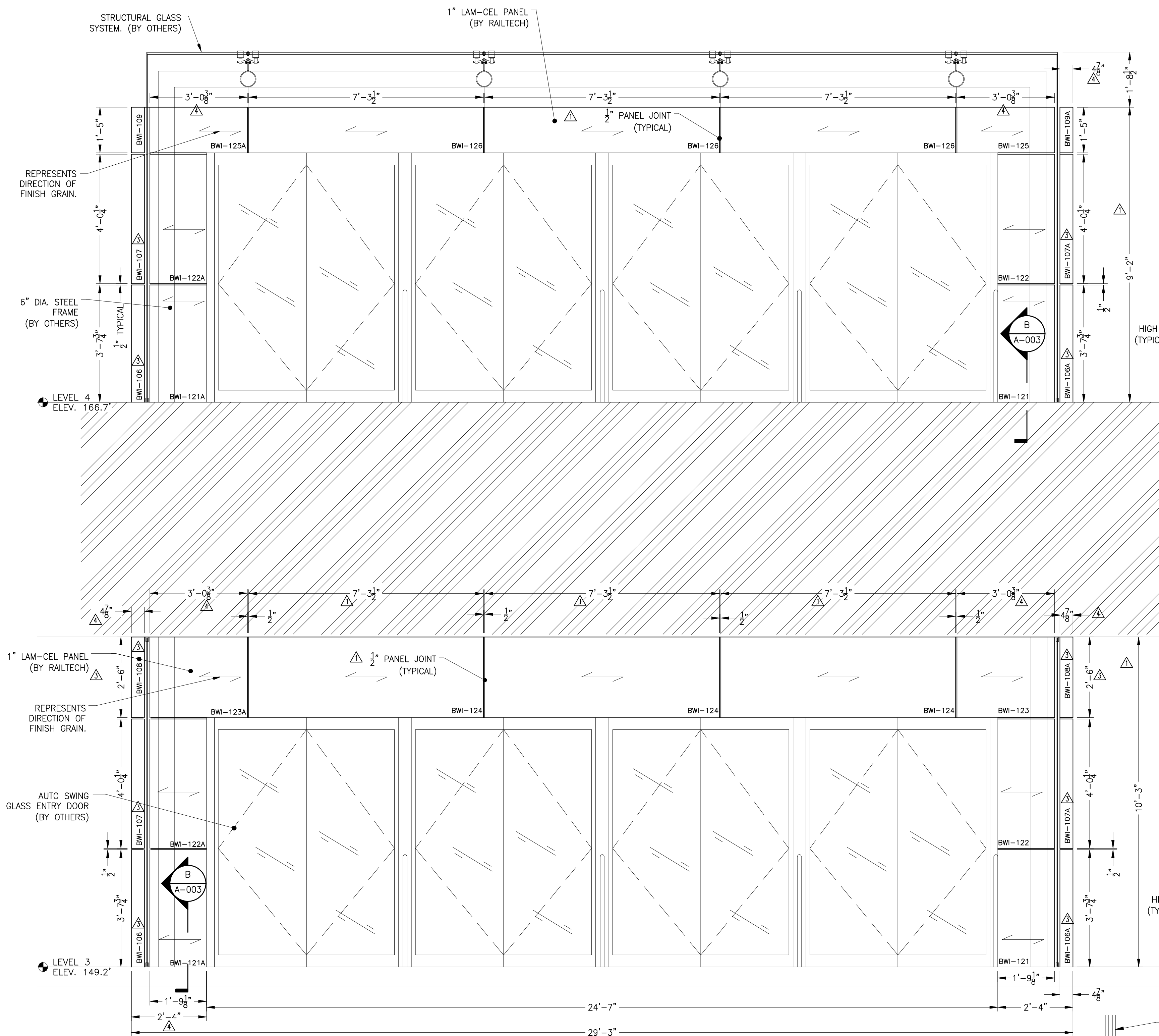
PANEL COMPOSITION

FACE: 0.062",
16 GAUGE
#304 STAINLESS STEEL

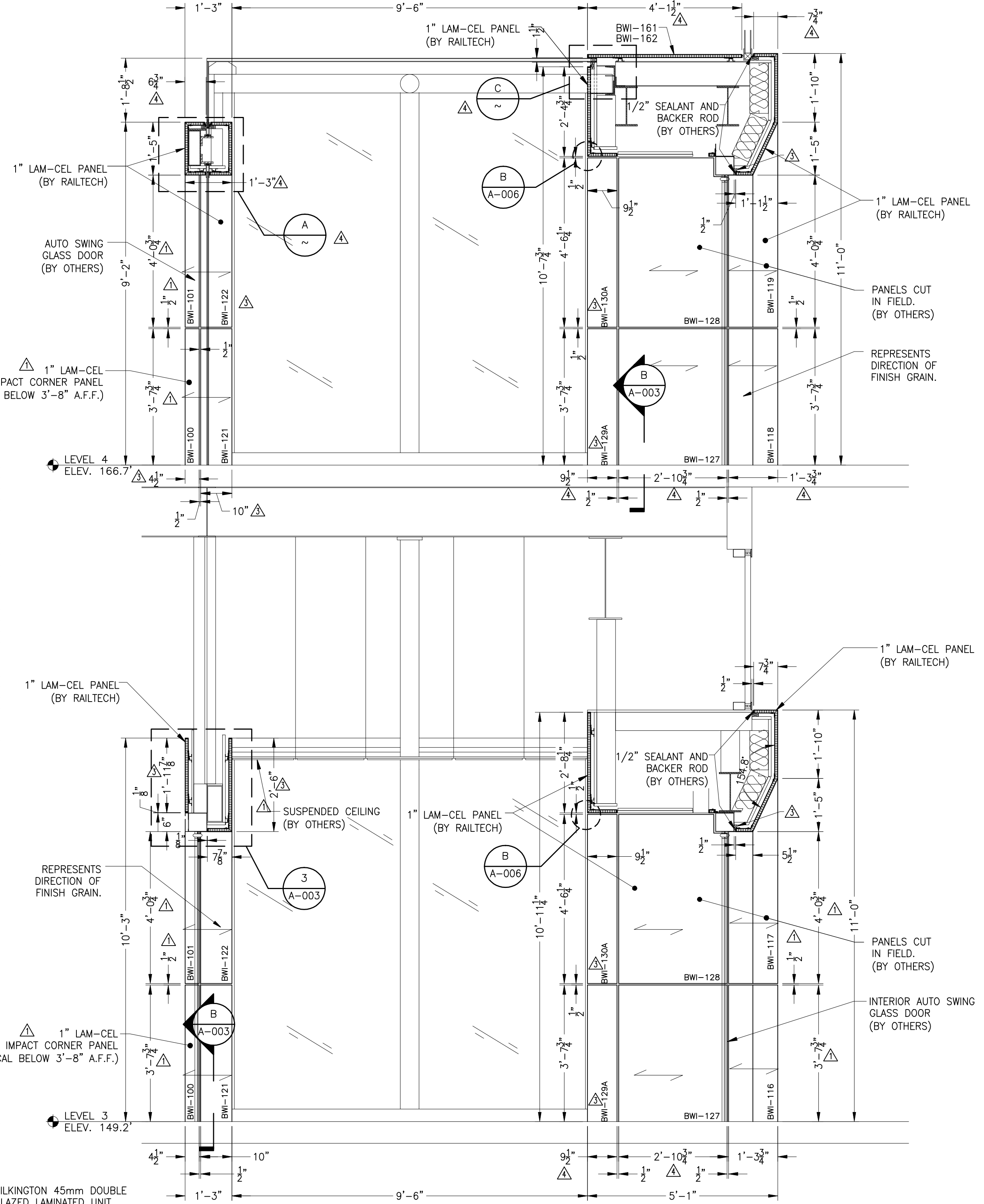
FINISH: #4 BRUSH

CORE: 3/8" CELL SIZE
COMMERCIAL GRADE
ALUMINUM HONEYCOMB
PERFORATED

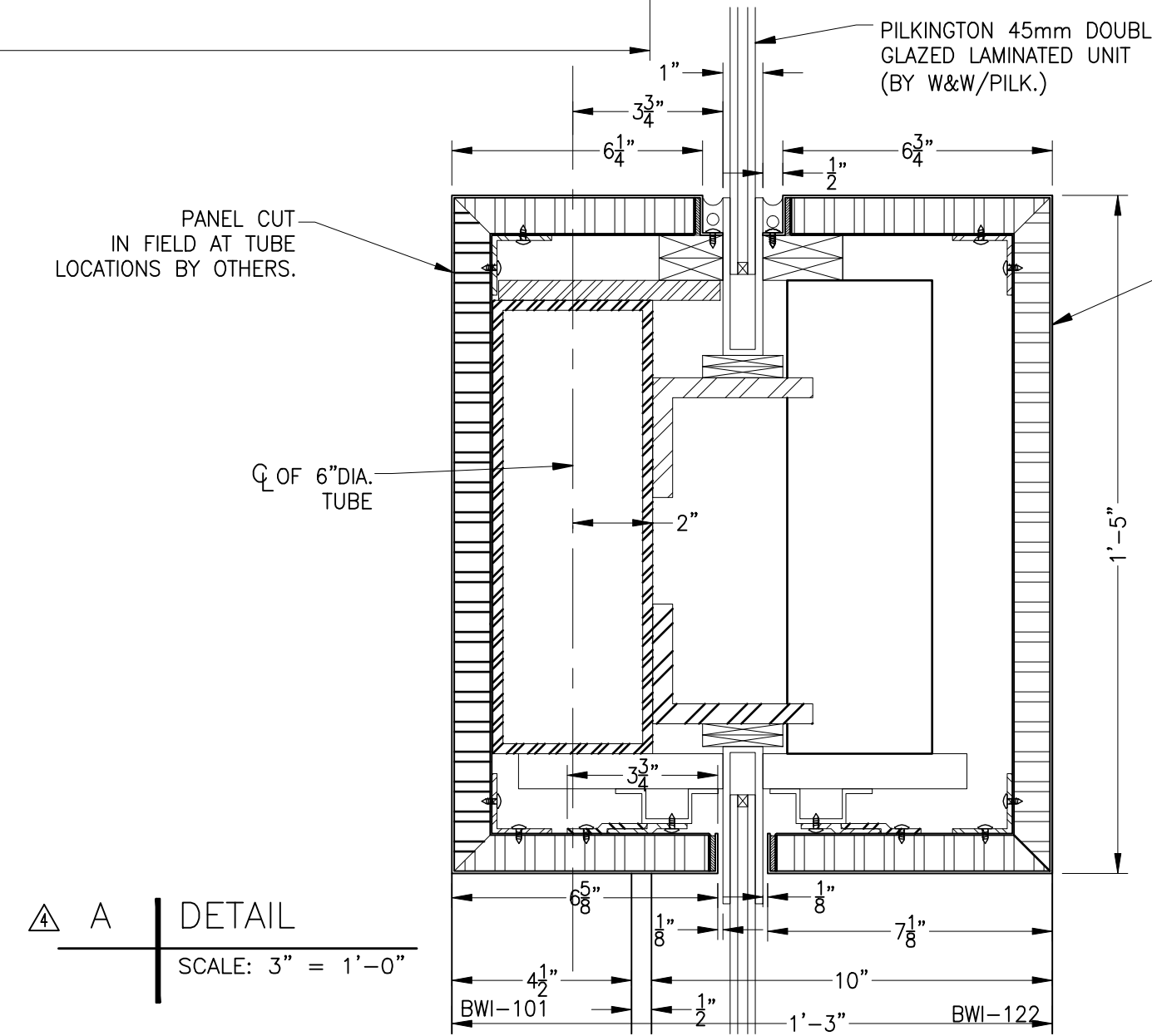
BACKER: 0.040", EPOXY
PRIMED ALUMINUM



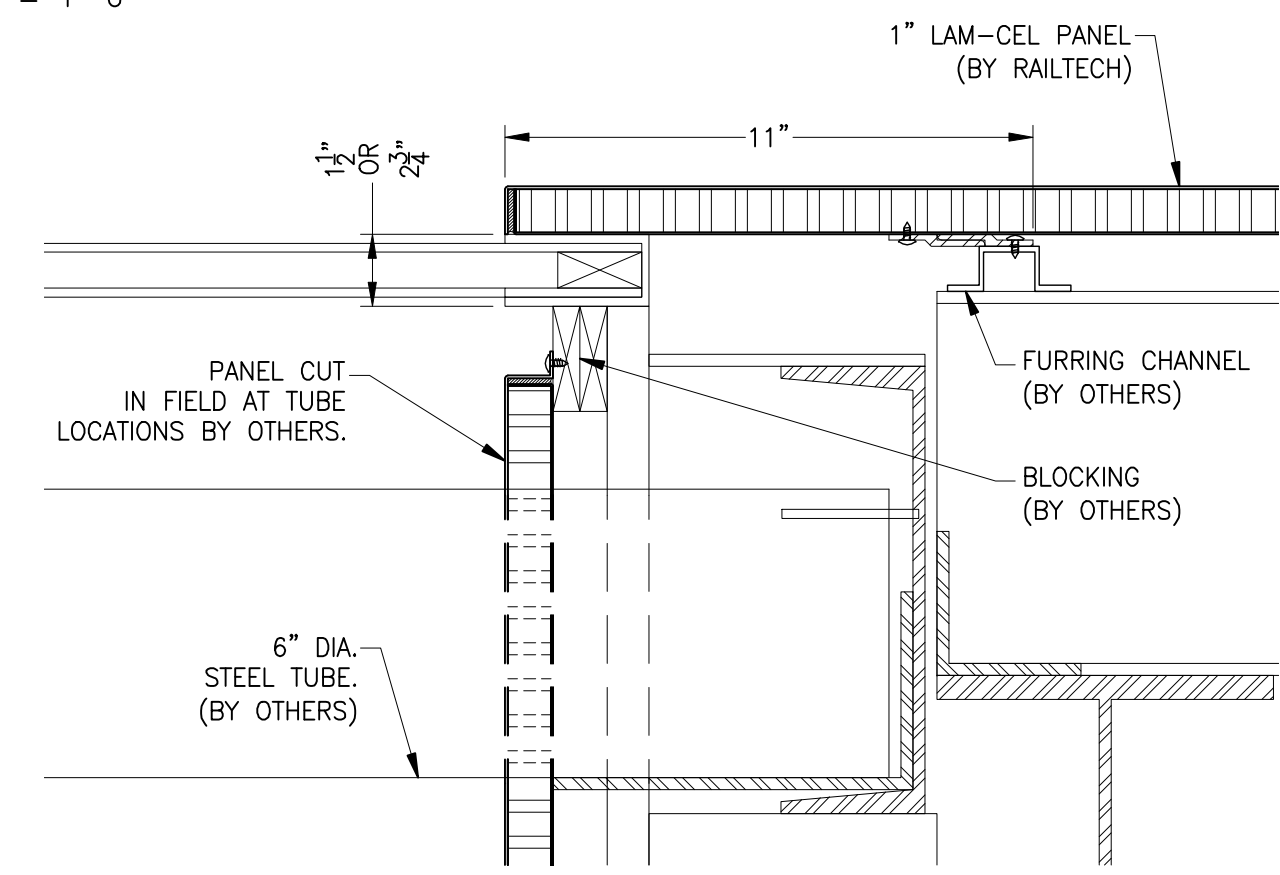
1 PARTIAL INTERIOR SECTION - TYPICAL
@ LEVELS 3&4 VESTIBULES
A-001 SCALE: 1/2" = 1'-0"



2 PARTIAL INTERIOR SECTION - TYPICAL
@ LEVELS 3&4 VESTIBULES
A-001 SCALE: 1/2" = 1'-0"



A DETAIL
SCALE: 3" = 1'-0"



C DETAIL
SCALE: 3" = 1'-0"

REV.	DESCRIPTION	BY	DATE	APP
△	REVISED AS REQUESTED	J.A.	06.12.04	M.M.
△	MODIFIED PANEL DIM SEC. 2 MODIFIED PANEL ATTACHMENT, TAGS AND GRAIN DIRECTION	J.G.	05.10.04	M.M.
△	REVISED ATTACHMENTS AND ADDED NEW PANELS	J.A.	23.07.04	M.M.
△	MODIFIED PANEL DIMENSIONS ADDED DETAIL A AND TAGS	J.A.	24.03.04	M.M.

LAMCEL
entrances

Part of the Railtech Architectural Group
(814)457-4760 www.lamcel.com info@lamcel.com

client
BALTIMORE WASHINGTON INTERNATIONAL AIRPORT

contract number
10199

drawing title
SECTIONS

drawn date
J. ALBERT 19 NOV. 2003

verified date
M. McDONALD 28 NOV. 2003

scale drawing number revision
AS NOTED A-004 4