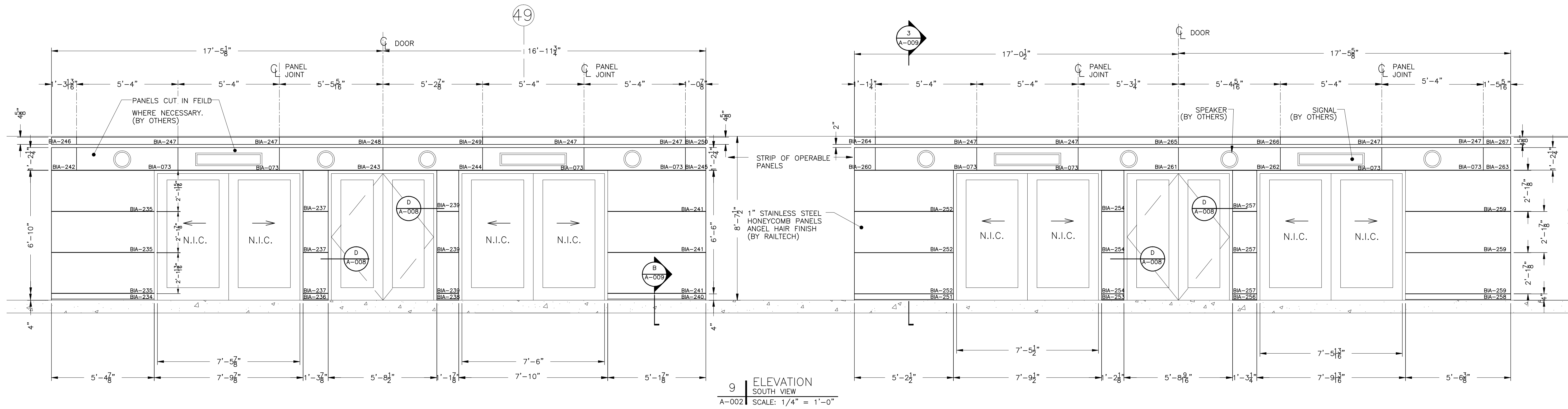
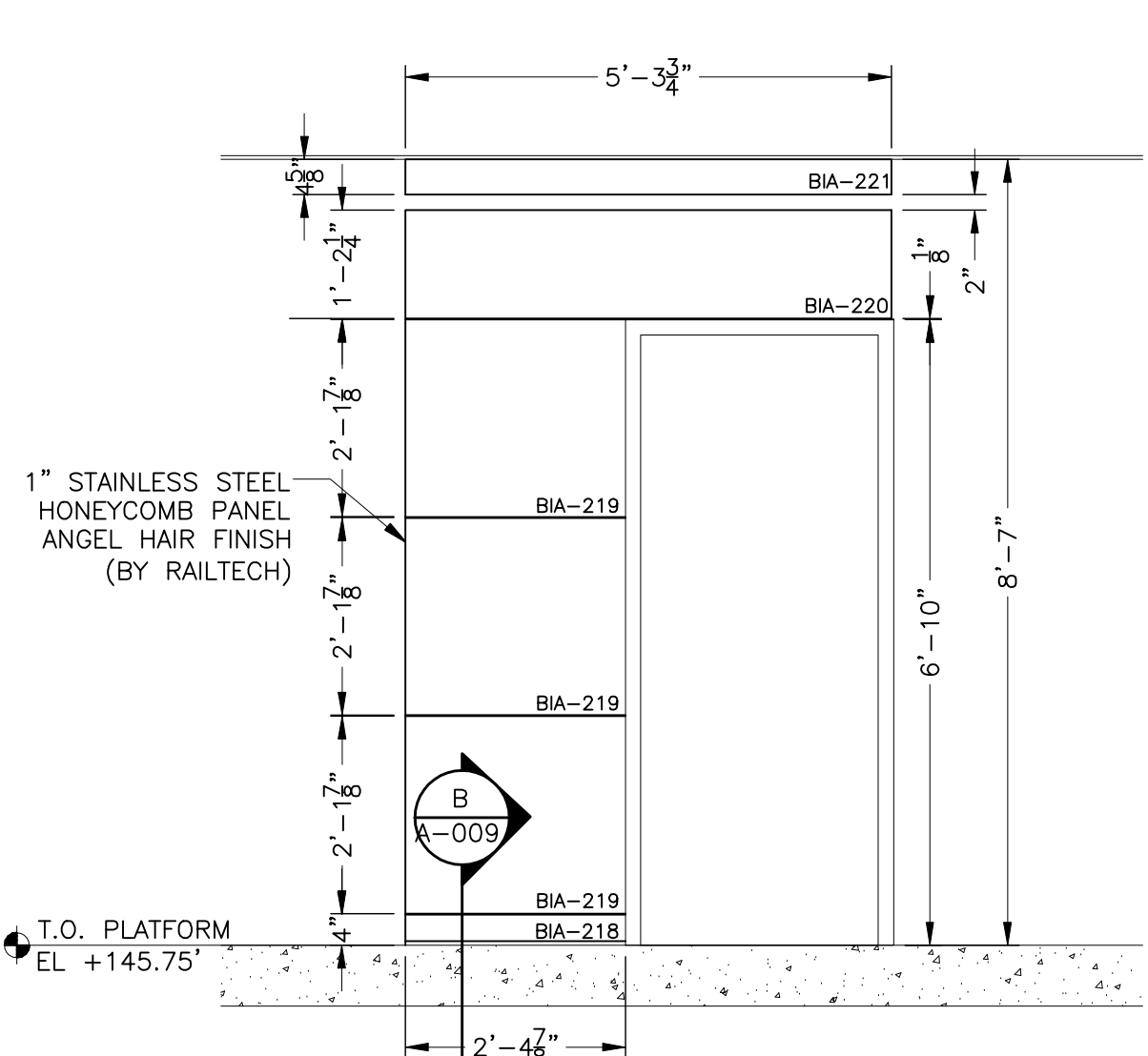


**NOTES**

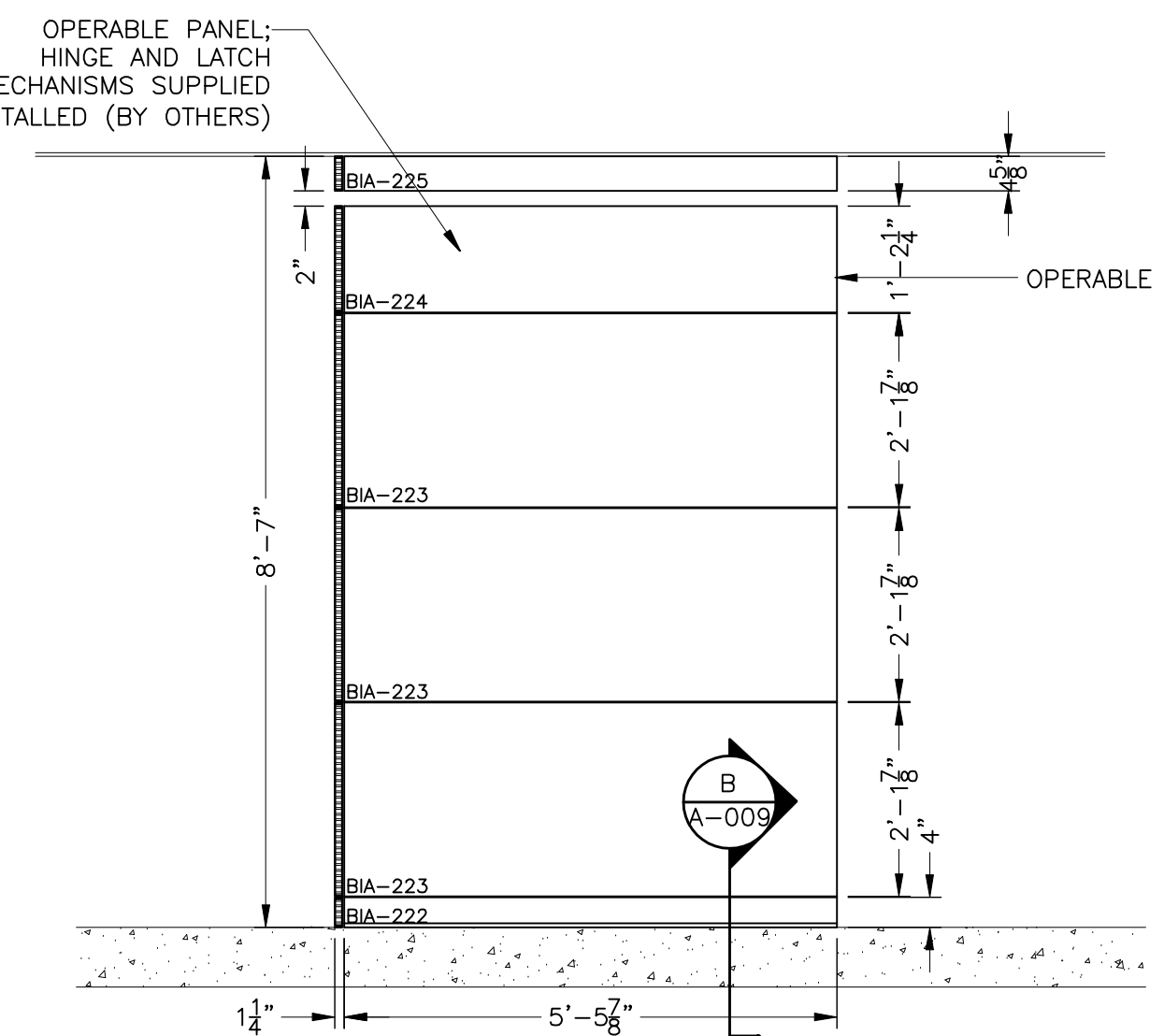
1. CO-ORDINATION OF THIS INSTALLATION WITH HEATING, VENTILATION, AIR CONDITIONING & ELECTRICAL WORK IS BY OTHERS.
2. RAILTECH REQUIRES WRITTEN APPROVAL OF ALL SHOP DRAWINGS BEFORE STARTING PRODUCTION.
3. CUT-OUTS FOR SPRINKLERS, SPEAKERS, COLUMNS, FLOOR SLABS, ETC. ARE DONE IN FIELD BY OTHERS.



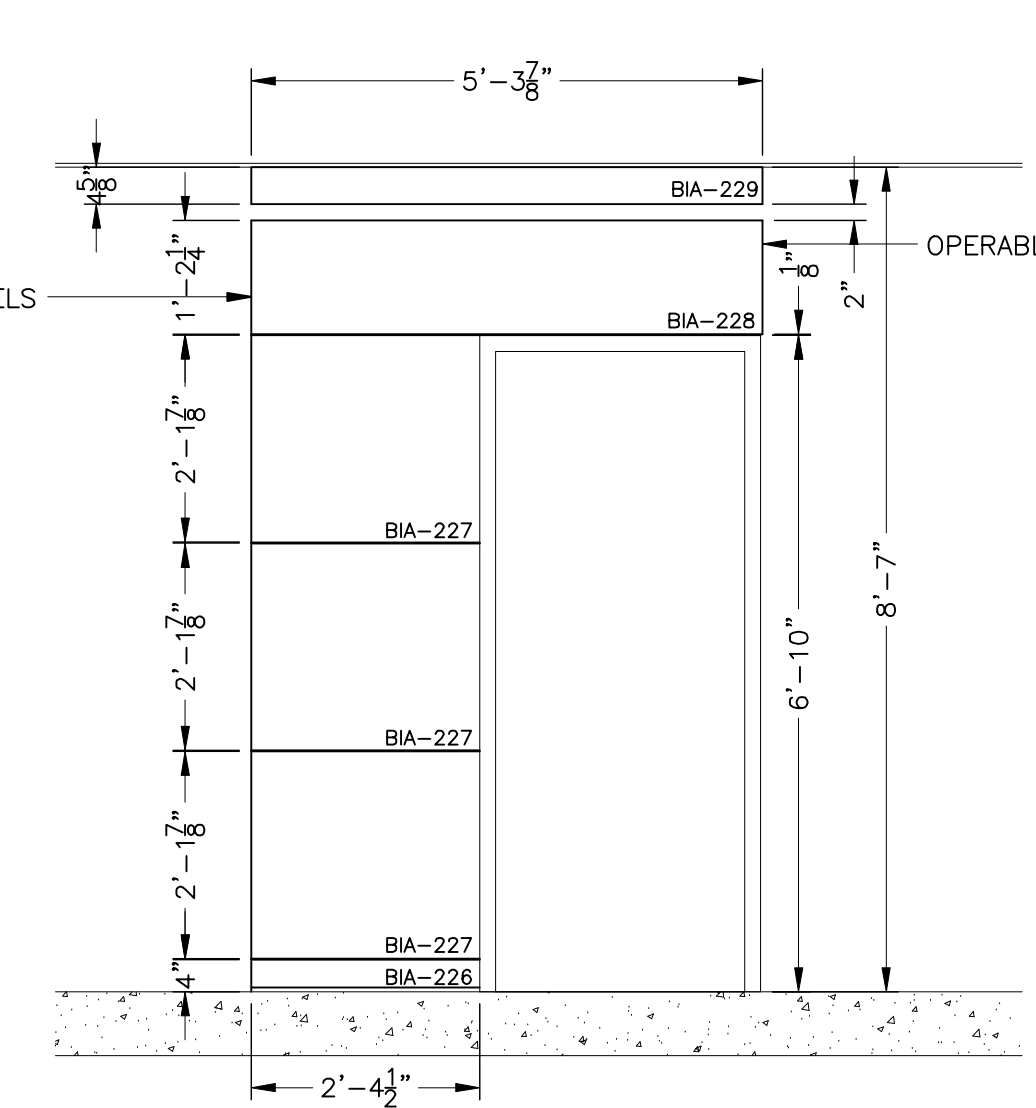
**9 ELEVATION SOUTH VIEW**  
A-002 SCALE: 1/4" = 1'-0"



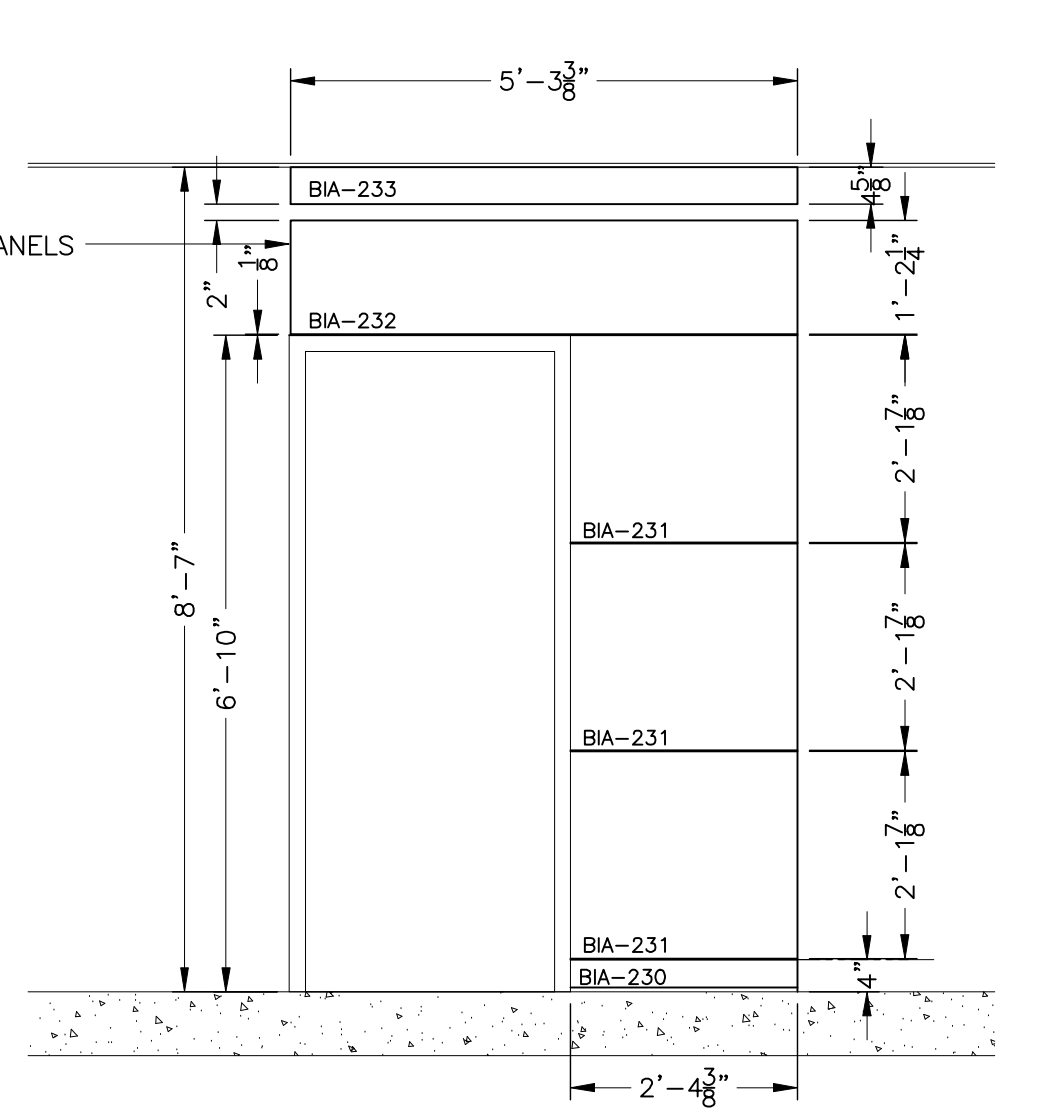
**5 ELEVATION SOUTH VIEW**  
A-002 SCALE: 1/2" = 1'-0"



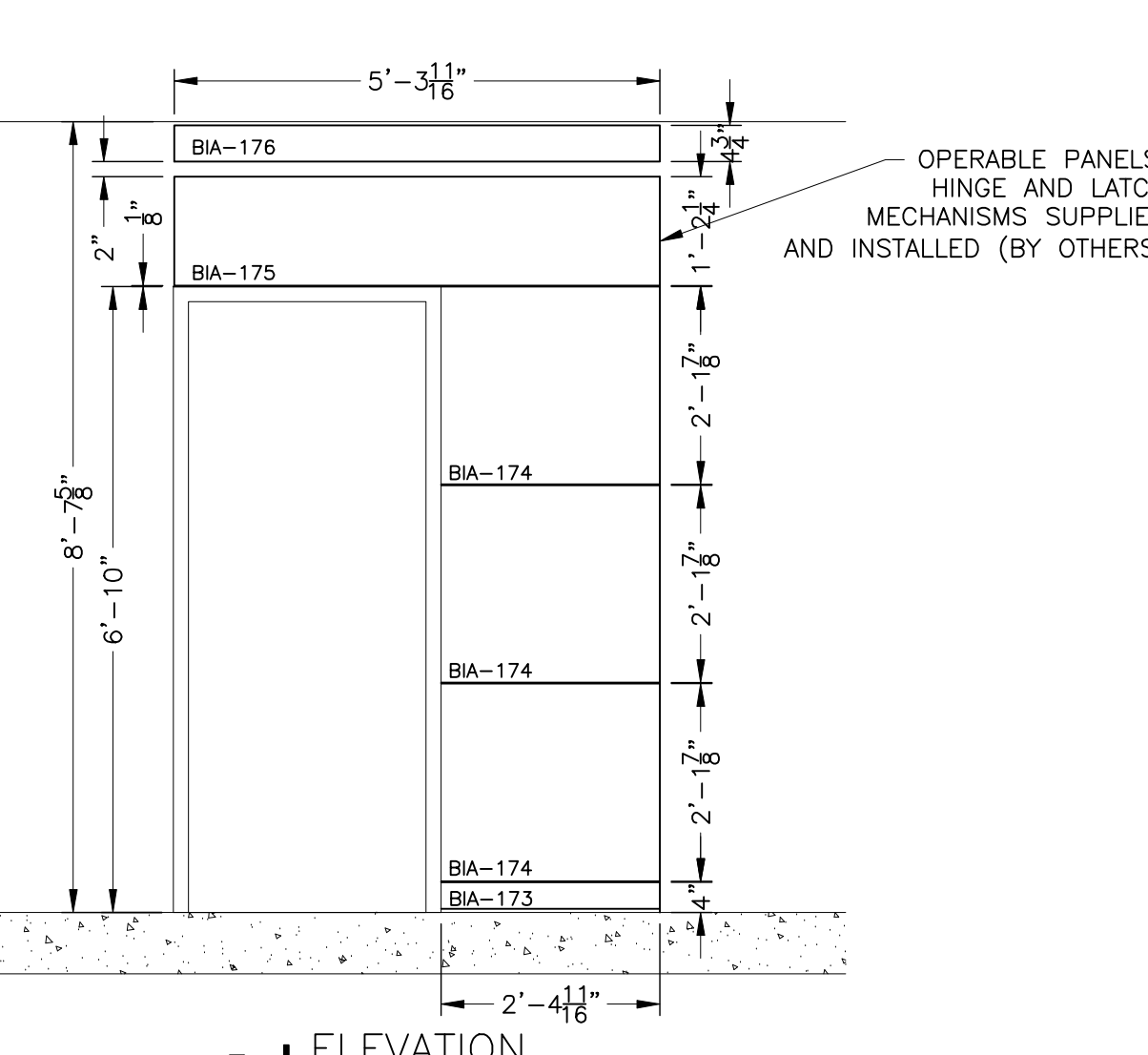
**6 ELEVATION SOUTH VIEW**  
A-002 SCALE: 1/2" = 1'-0"



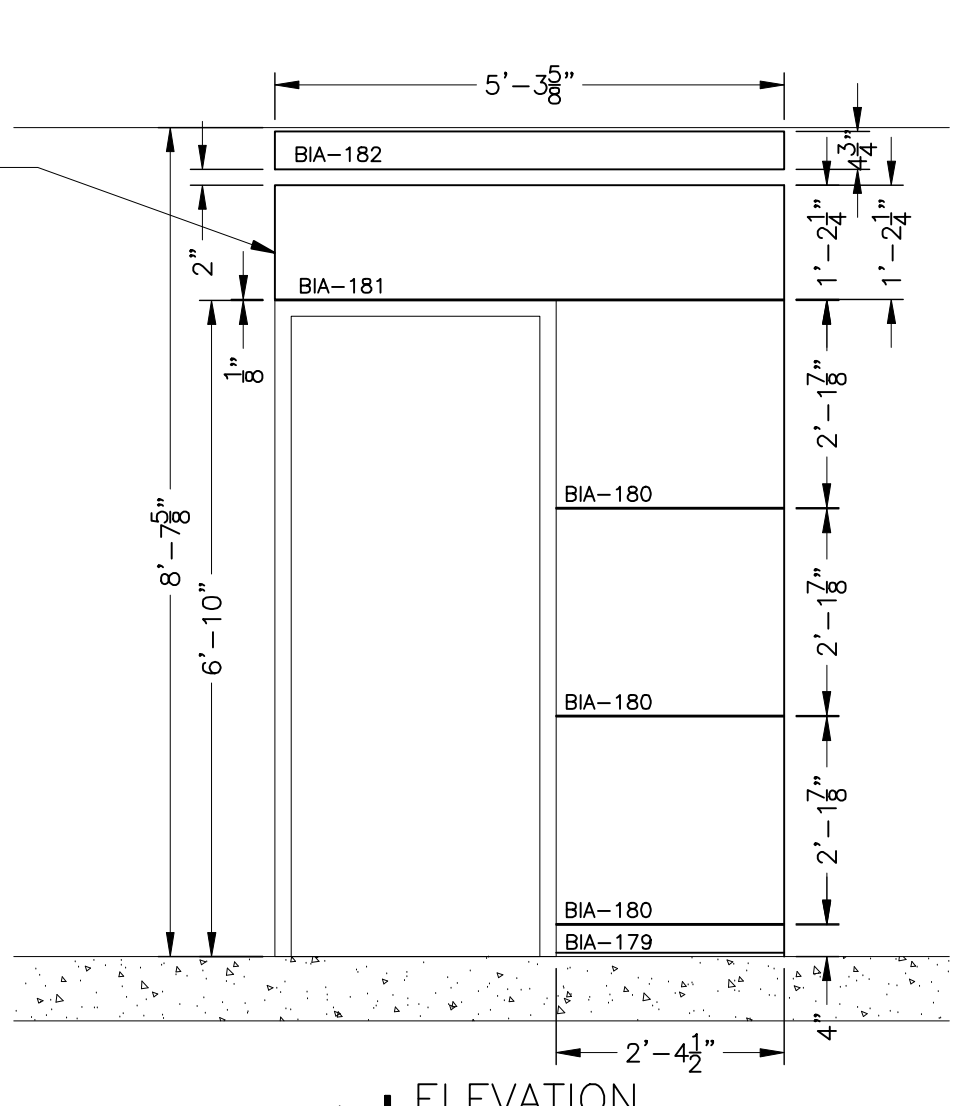
**7 ELEVATION SOUTH VIEW**  
A-002 SCALE: 1/2" = 1'-0"



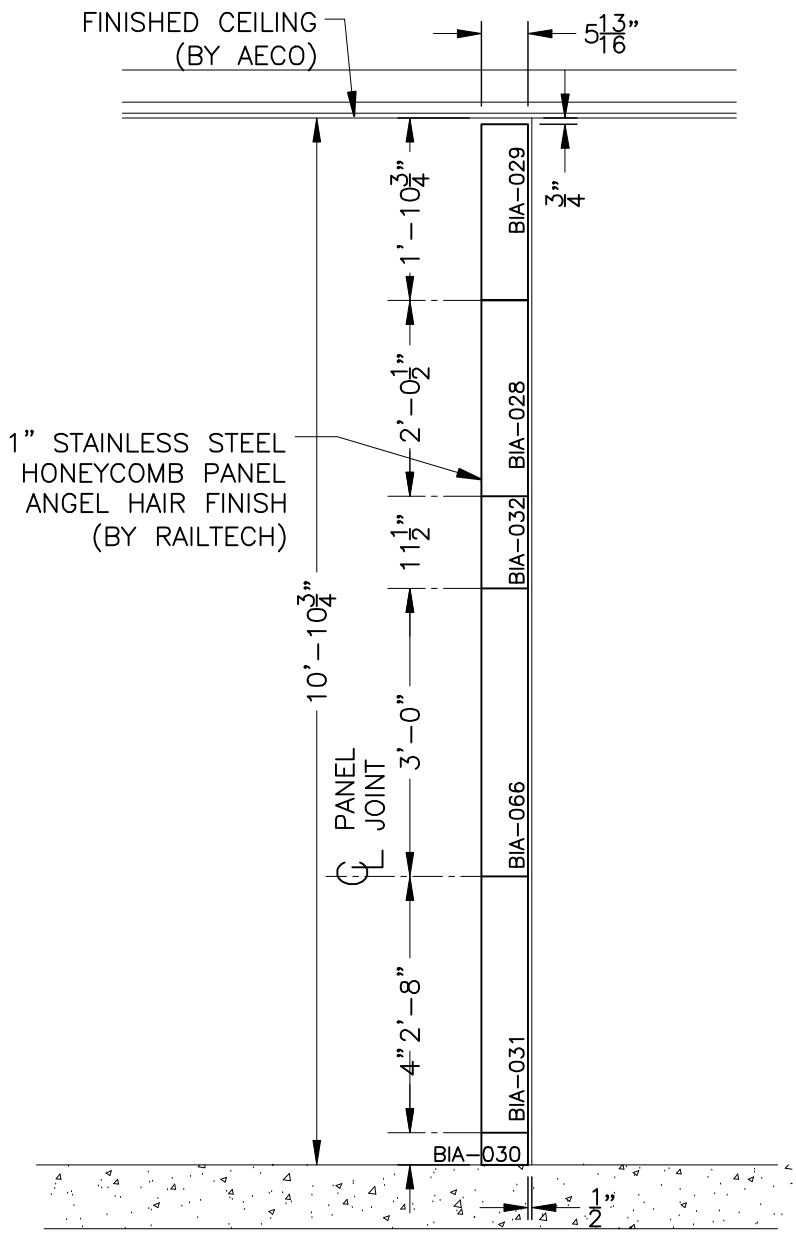
**8 ELEVATION SOUTH VIEW**  
A-002 SCALE: 1/2" = 1'-0"



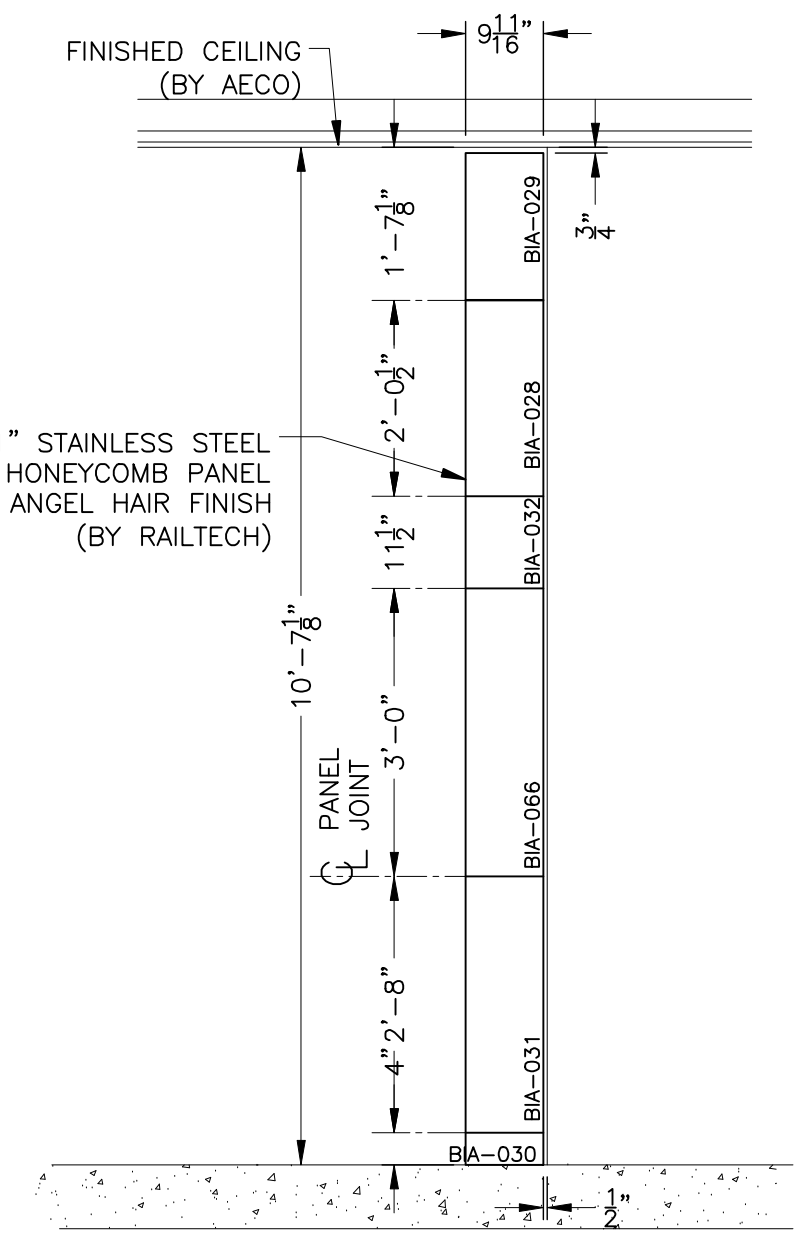
**3 ELEVATION NORTH VIEW**  
A-002 SCALE: 1/2" = 1'-0"



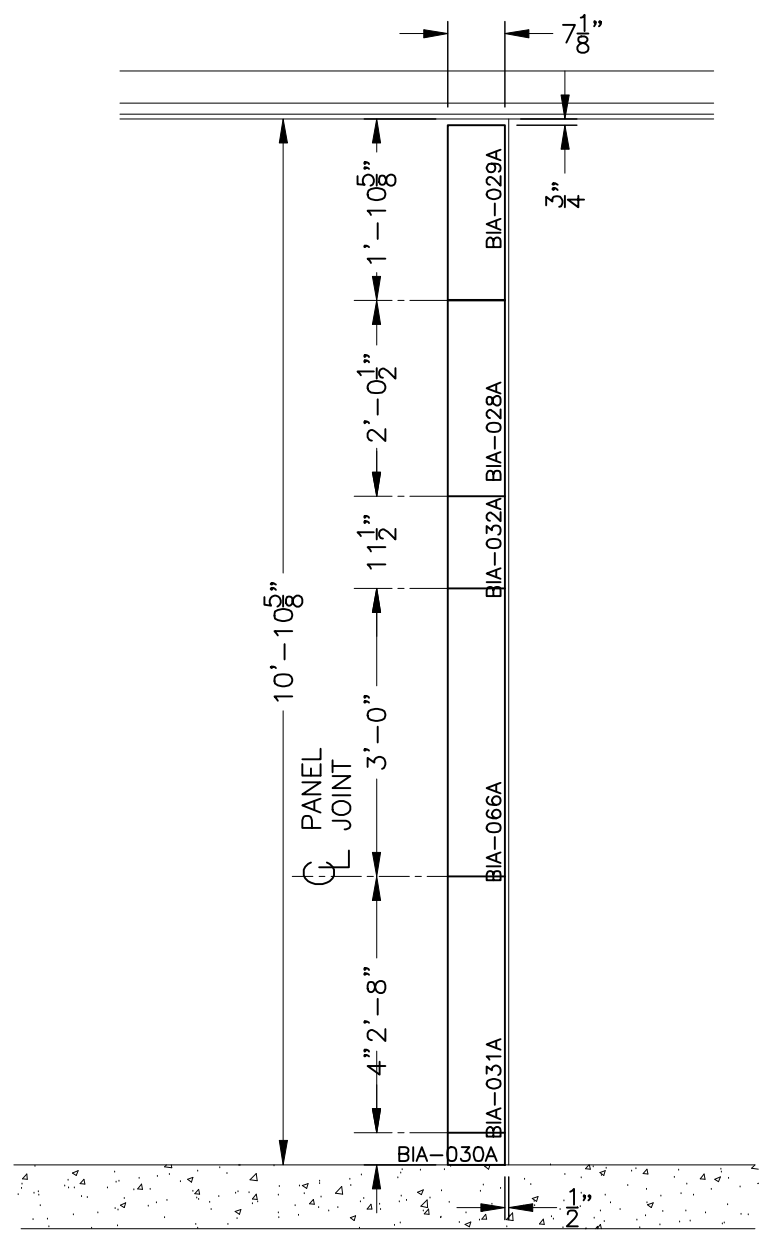
**4 ELEVATION NORTH VIEW**  
A-002 SCALE: 1/2" = 1'-0"



**10 ELEVATION**  
A-001 SCALE: 1/2" = 1'-0"



**11 ELEVATION**  
A-001 SCALE: 1/2" = 1'-0"



**9 ELEVATION**  
A-001 SCALE: 1/2" = 1'-0"



Part of the Railtech Architectural Group  
(514)457-4760 www.lamcel.com info@lamcel.com

client	GEORGE BUSH INTERCONTINENTAL AIRPORT HOUSTON TEXAS APM STATION AND PLATFORM		
contract number	10171		
drawing title	PLATFORM		
drawn	J. ALBERT	date	16.06.04
verified		date	
approved	M. McDONALD	date	17.06.04
scale	AS NOTED	drawing number	A-011
revision		revision	0