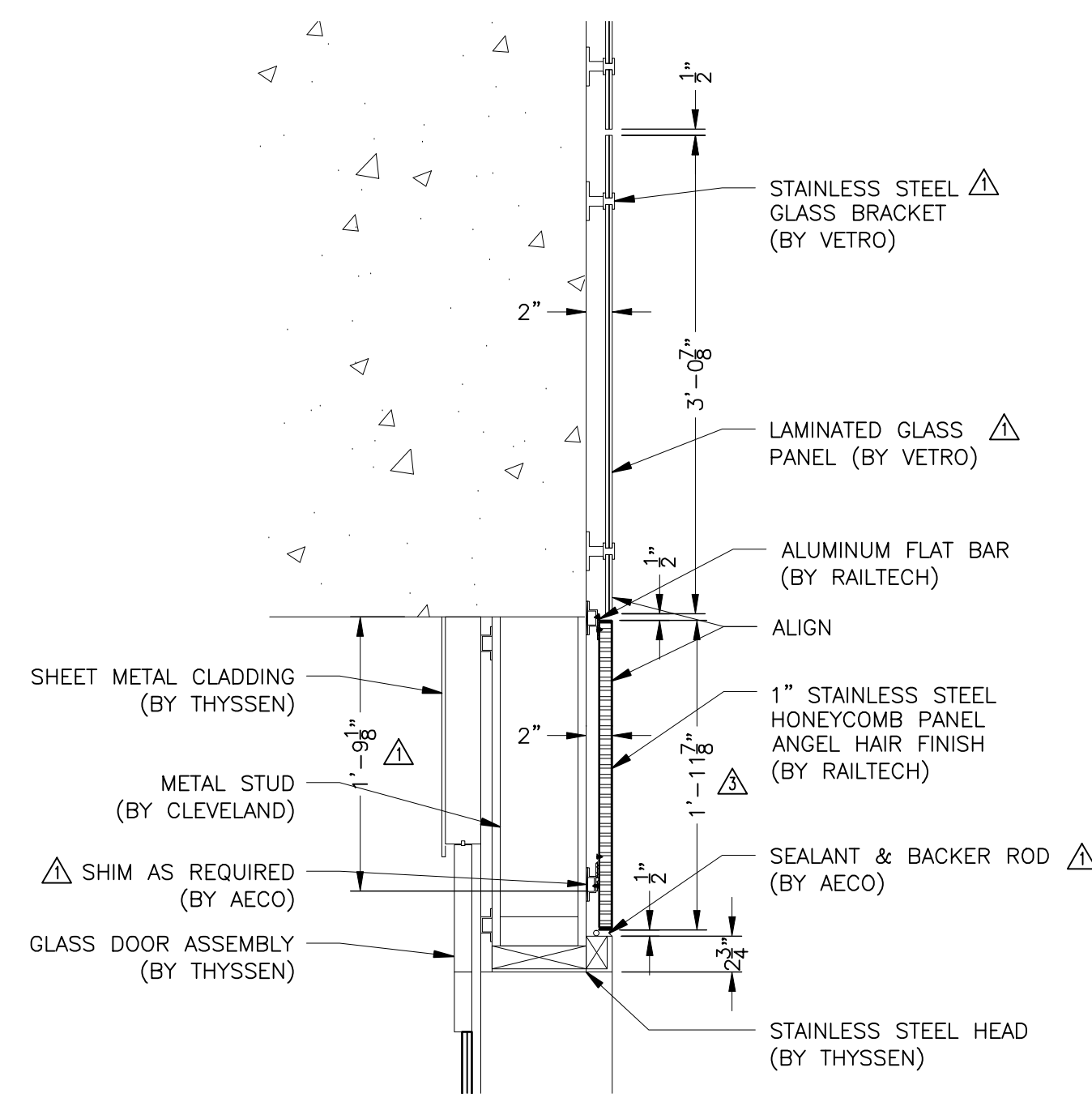
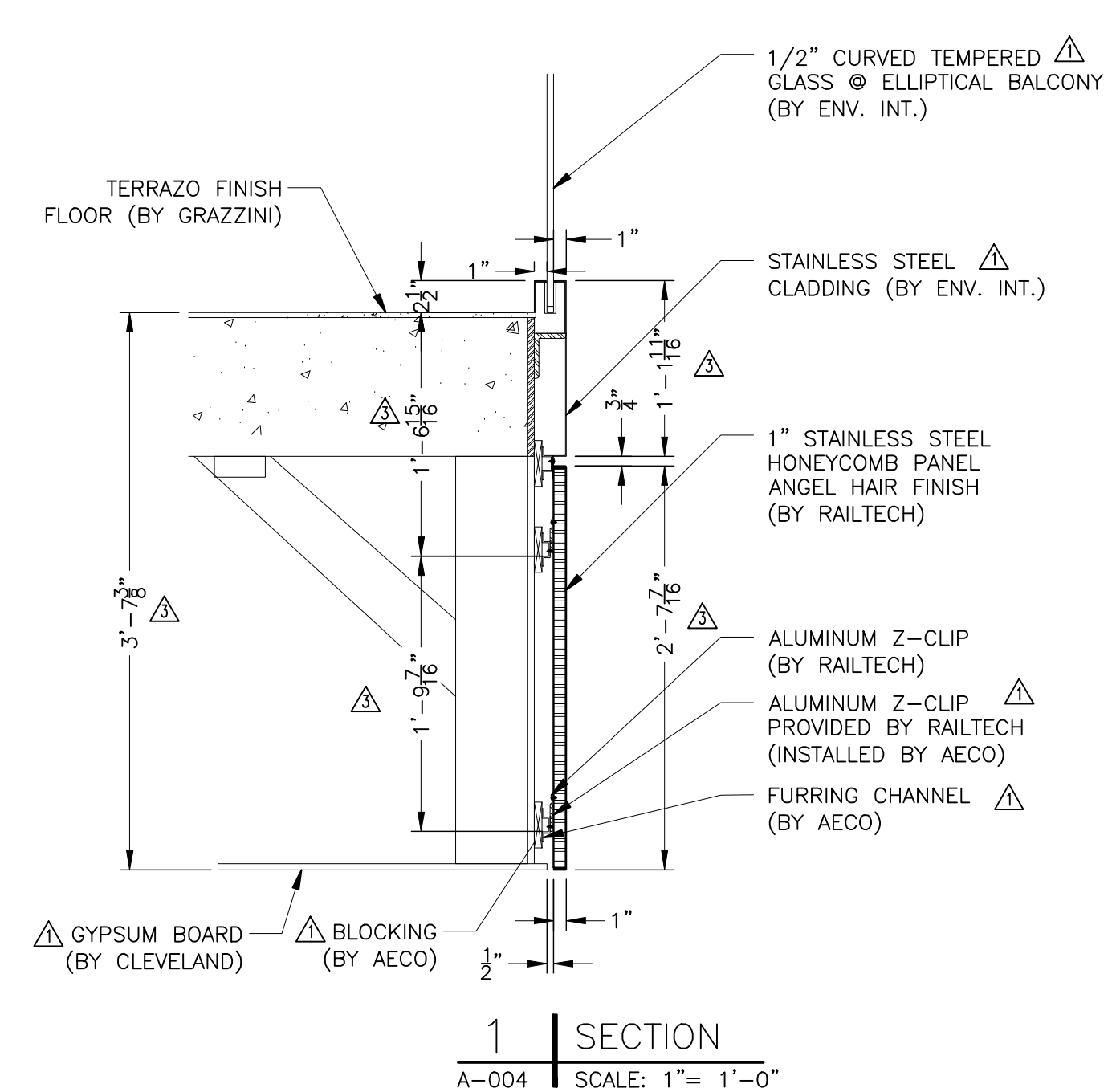


NOTES

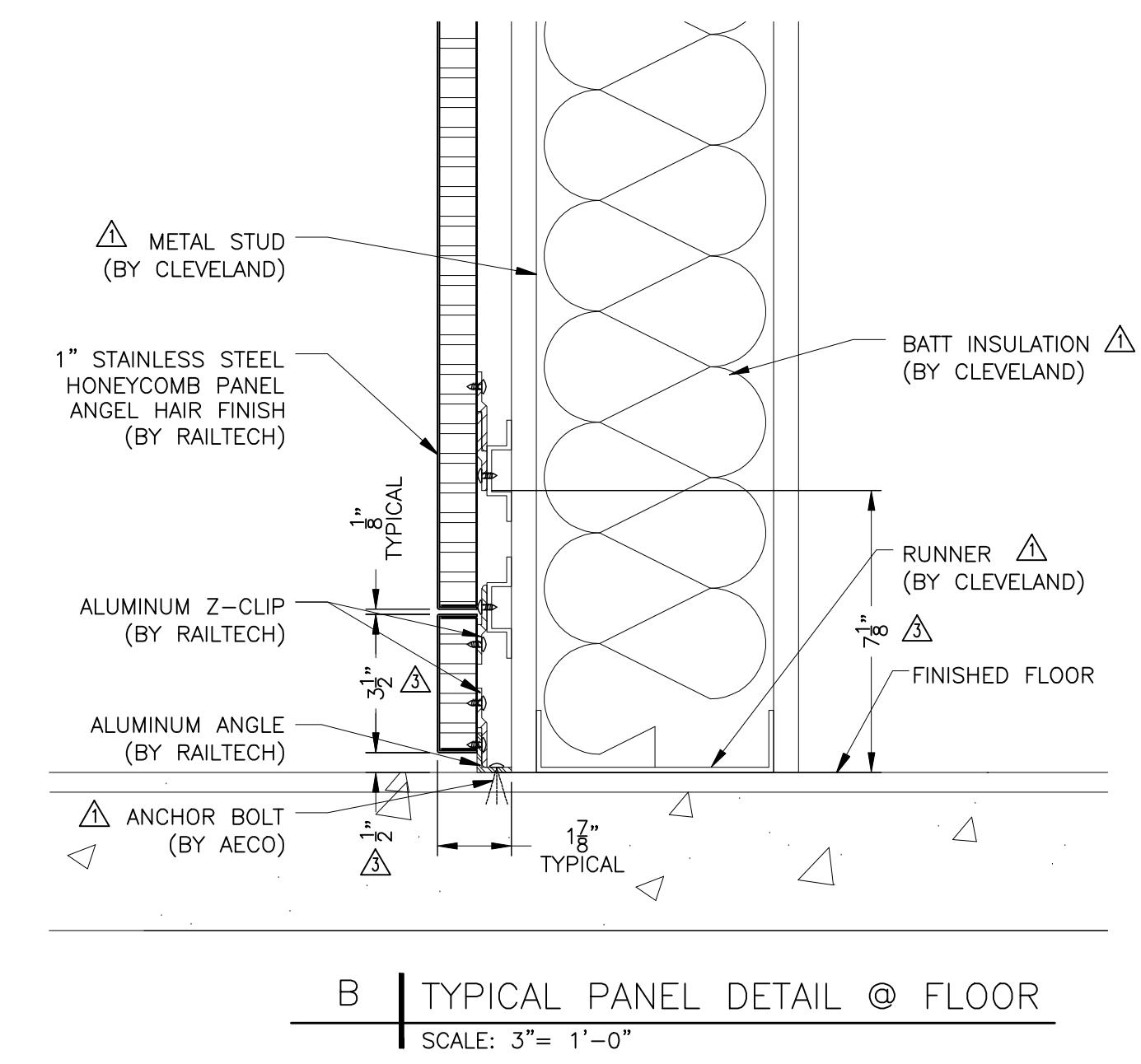
1. CO-ORDINATION OF THIS INSTALLATION WITH HEATING, VENTILATION, AIR CONDITIONING & ELECTRICAL WORK IS BY OTHERS.
2. RAILTECH REQUIRES WRITTEN APPROVAL OF ALL SHOP DRAWINGS BEFORE STARTING PRODUCTION.
3. CUT-OUTS FOR SPRINKLERS, SPEAKERS, COLUMNS, FLOOR SLABS, ETC. ARE DONE IN FIELD BY OTHERS.
4. ALL OVERALL DIMENSIONS MUST BE VERIFIED IN FIELD BY OTHERS.



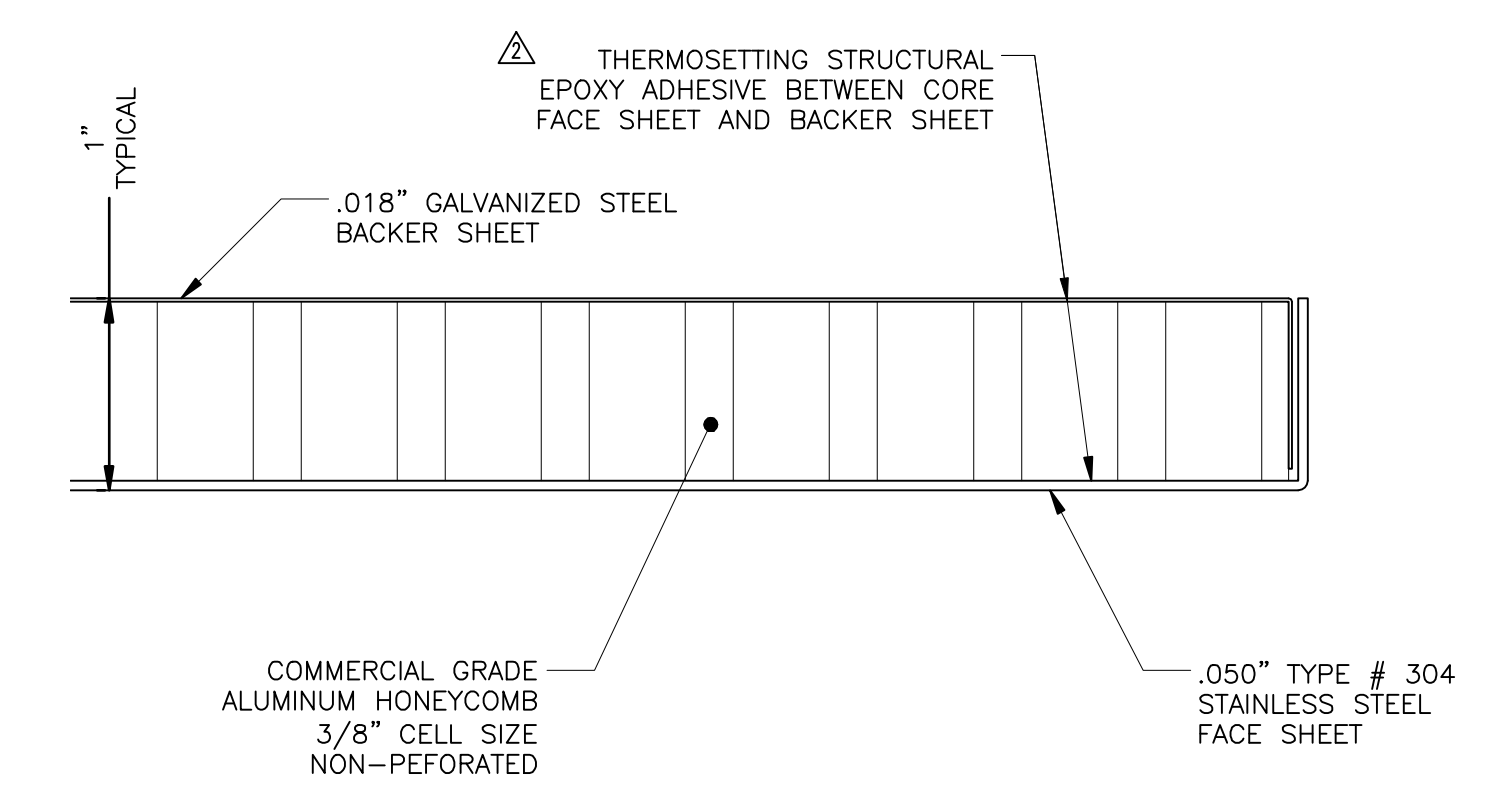
4 HEAD DETAIL @ ELEVATOR
A-004 SCALE: 1"= 1'-0"



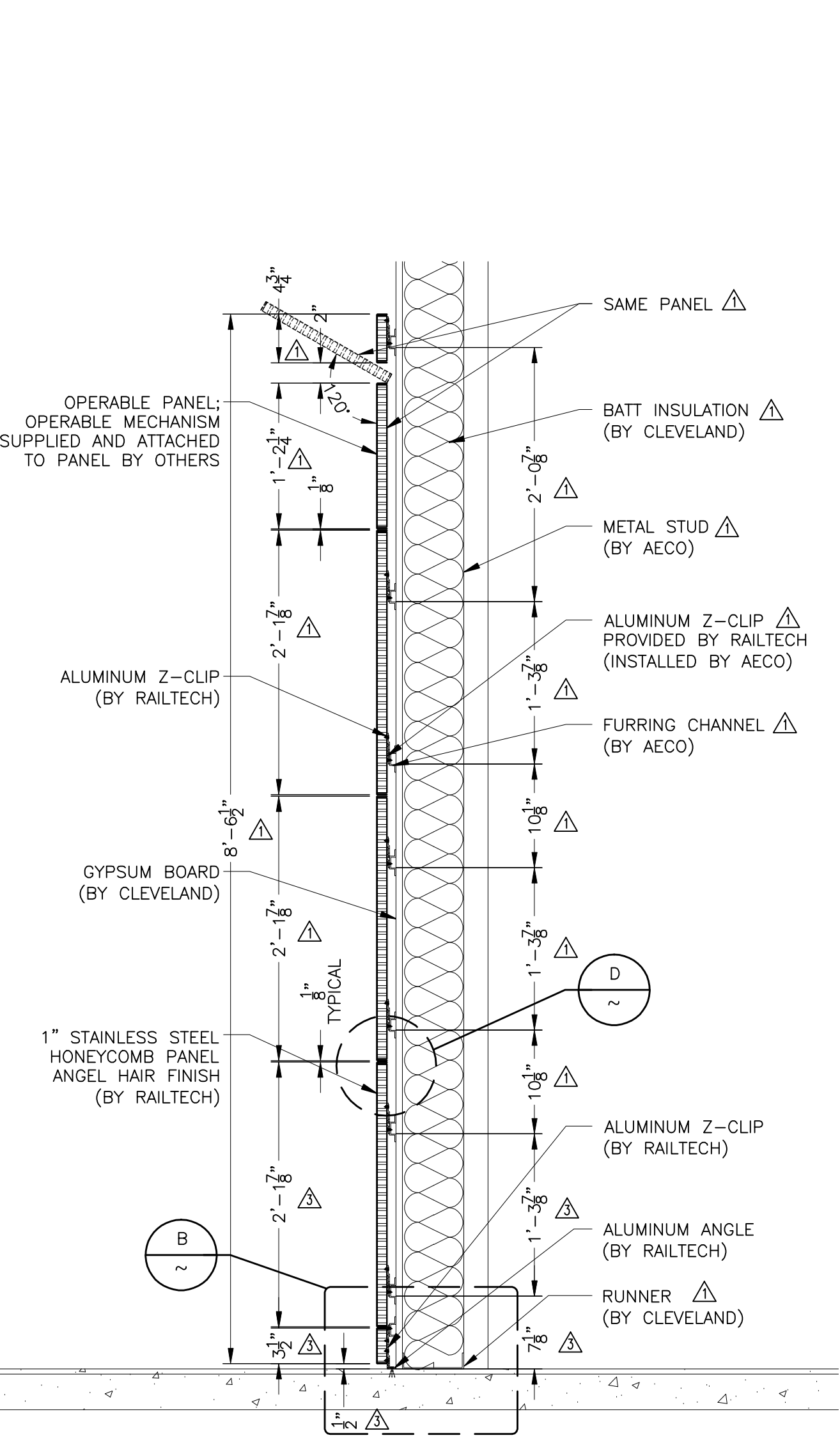
1 SECTION
A-004 SCALE: 1"= 1'-0"



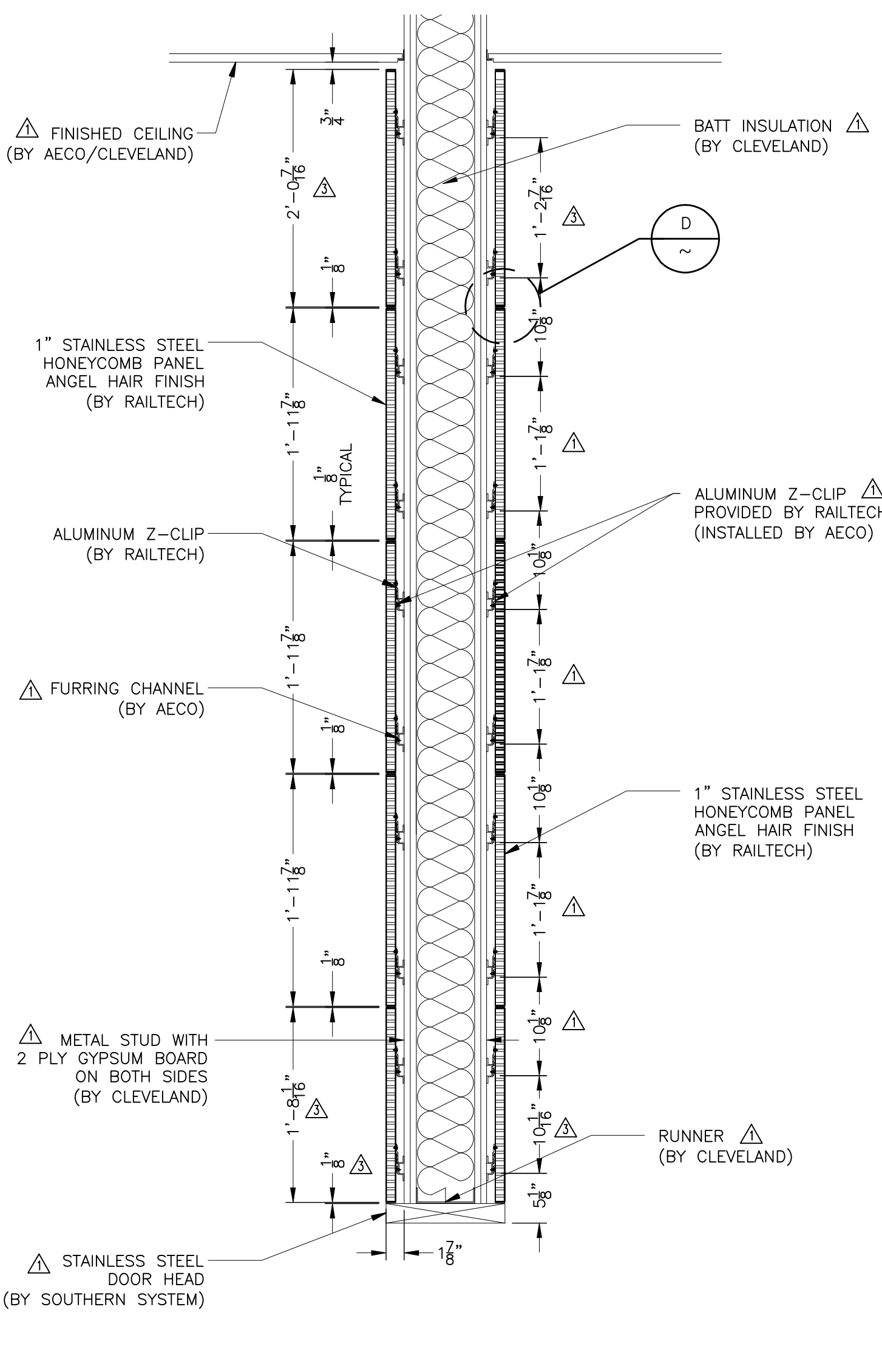
B TYPICAL PANEL DETAIL @ FLOOR
SCALE: 3"= 1'-0"



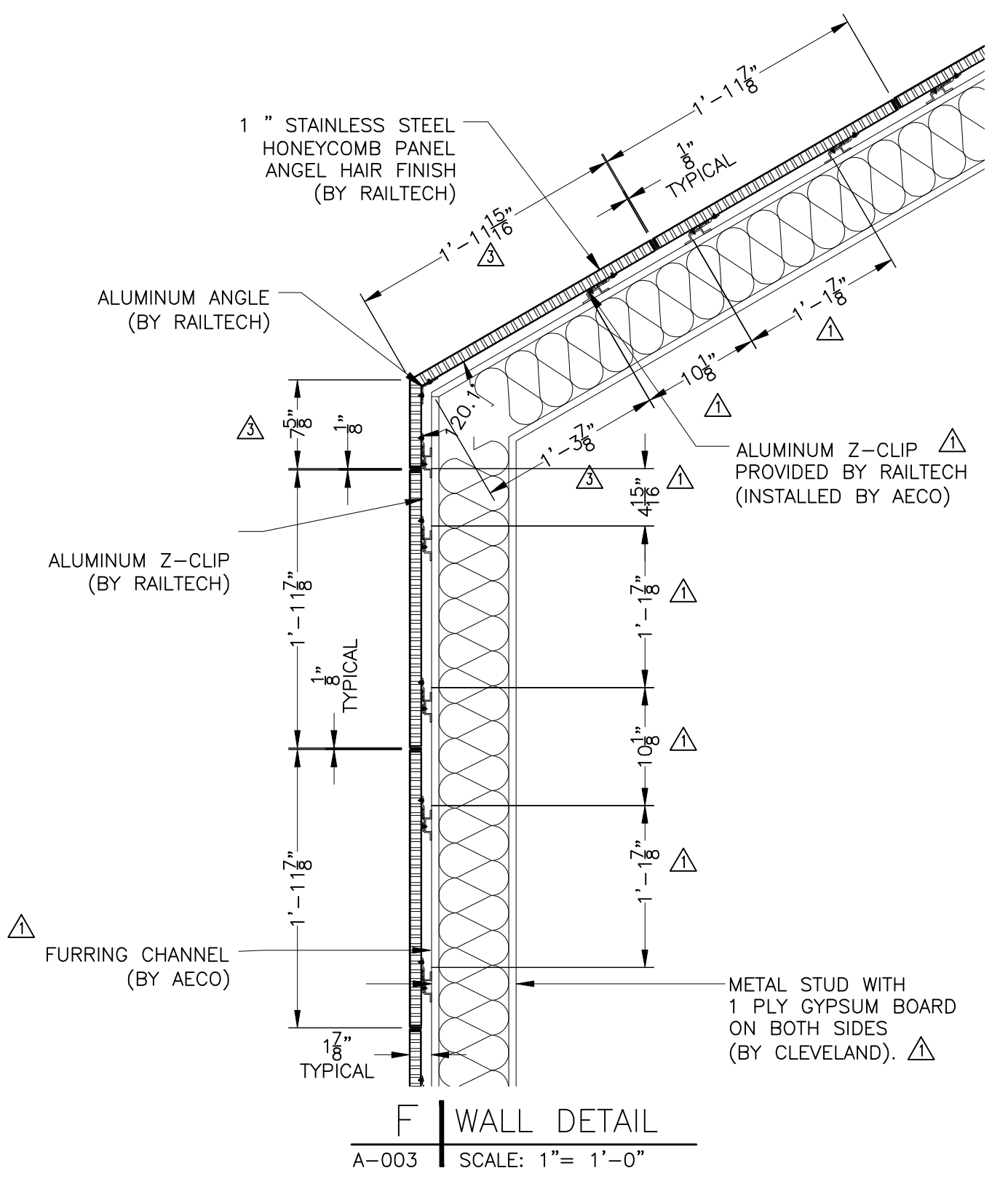
A TYPICAL PANEL END DETAIL
SCALE: FULL SIZE



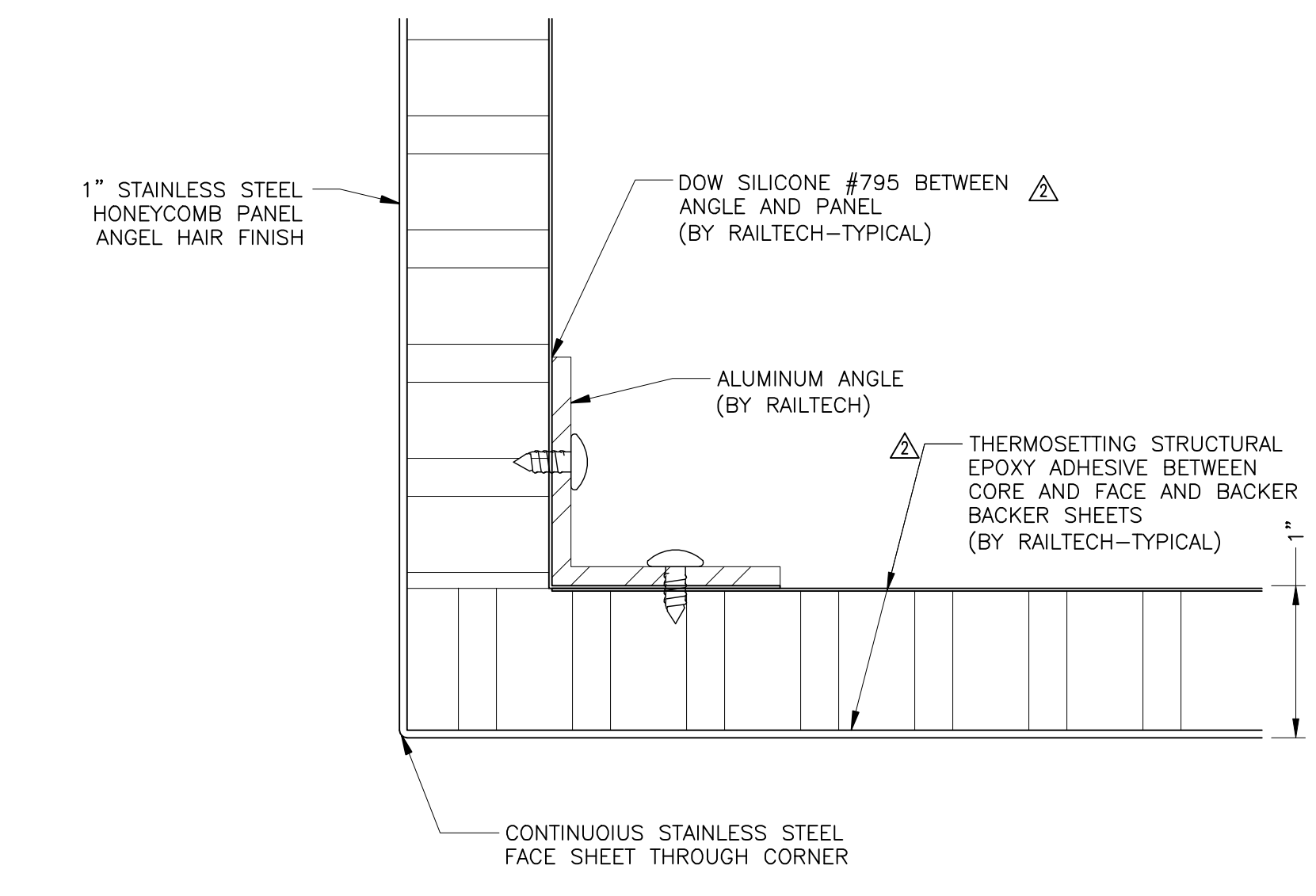
3 WALL SECTION
A-003 SCALE: 1"= 1'-0"



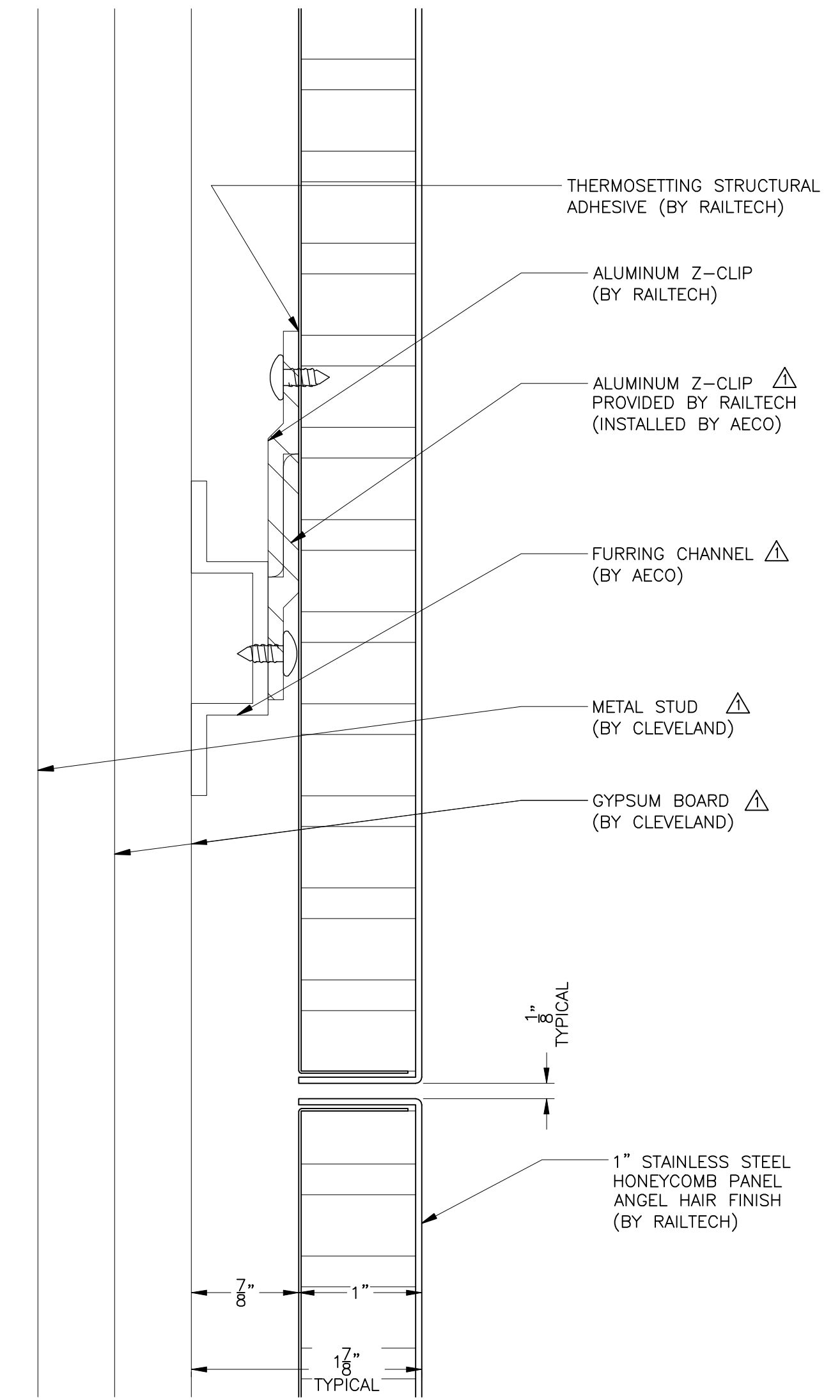
2 WALL SECTION
A-003 SCALE: 1"= 1'-0"



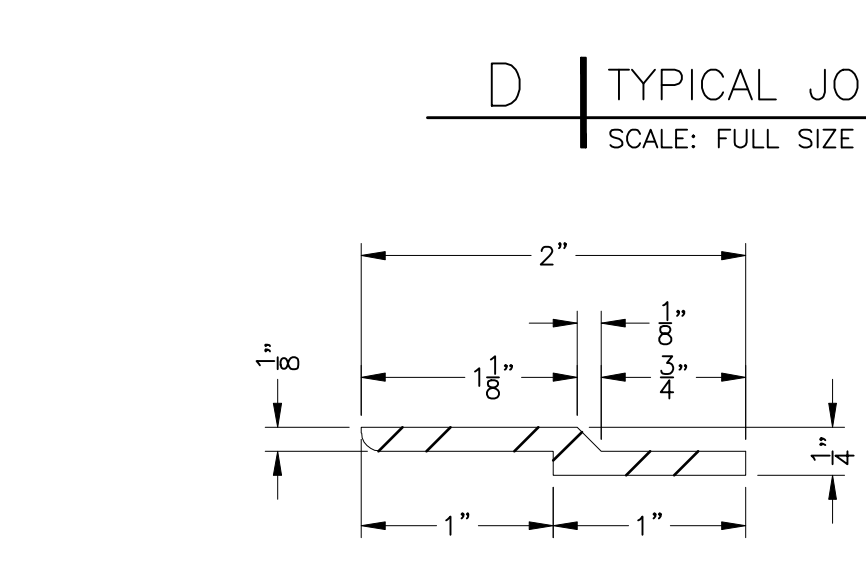
F WALL DETAIL
A-003 SCALE: 1"= 1'-0"



C TYPICAL CORNER DETAIL
SCALE: FULL SIZE



D TYPICAL JOINT DETAIL
SCALE: FULL SIZE



E RAILTECH Z-CLIP DETAIL
SCALE: FULL SIZE

REV.	DESCRIPTION	BY	DATE	APP
1	REVISED AS REQUESTED	J.A.	14.05.04	
2	MODIFIED DRAWING NOTES ON DETAIL A & C	J.A.	27/01/04 M.M.	
3	MODIFIED PANEL DIMENSIONS AND DRAWING NOTES	J.A.	15/08/03 M.M.	

LAMCEL
entrances

Part of the Railtech Architectural Group
client

project **GEORGE BUSH INTERCONTINENTAL AIRPORT HOUSTON TEXAS APM STATION AND PLATFORM**
contract number 10171

drawing title **DETAILS**

drawn **J. ALBERT** date **APRIL 28 2003**
verified

approved **M. McDONALD** date **MAY 15 2003**

scale **AS NOTED** drawing number **A-009** revision **3**