

NOTES

1. CO-ORDINATION OF THIS INSTALLATION WITH HEATING, VENTILATION, AIR CONDITIONING & ELECTRICAL WORK IS BY OTHERS.
2. RAILTECH REQUIRES WRITTEN APPROVAL OF ALL SHOP DRAWINGS BEFORE STARTING PRODUCTION.
3. CUT-OUTS FOR SPRINKLERS, COLUMNS THERMOSTATS, SWITCHES, ETC. ARE DONE IN FIELD BY OTHERS.
4. WEATHER-PROOFING OF LOCKER COVER DOOR BY OTHERS.

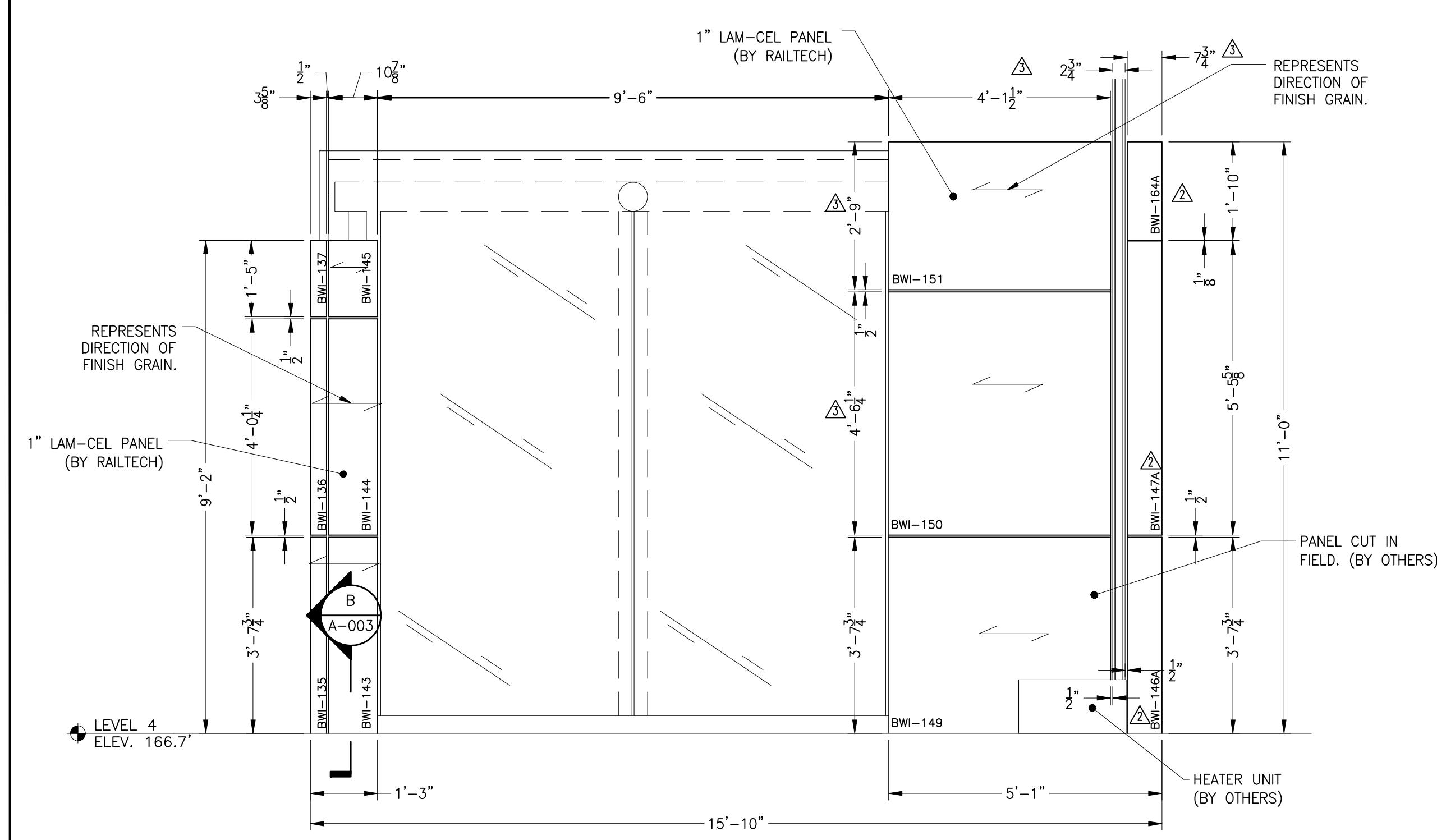
PANEL COMPOSITION

FACE: 0.062",
16 GAUGE
#304 STAINLESS STEEL

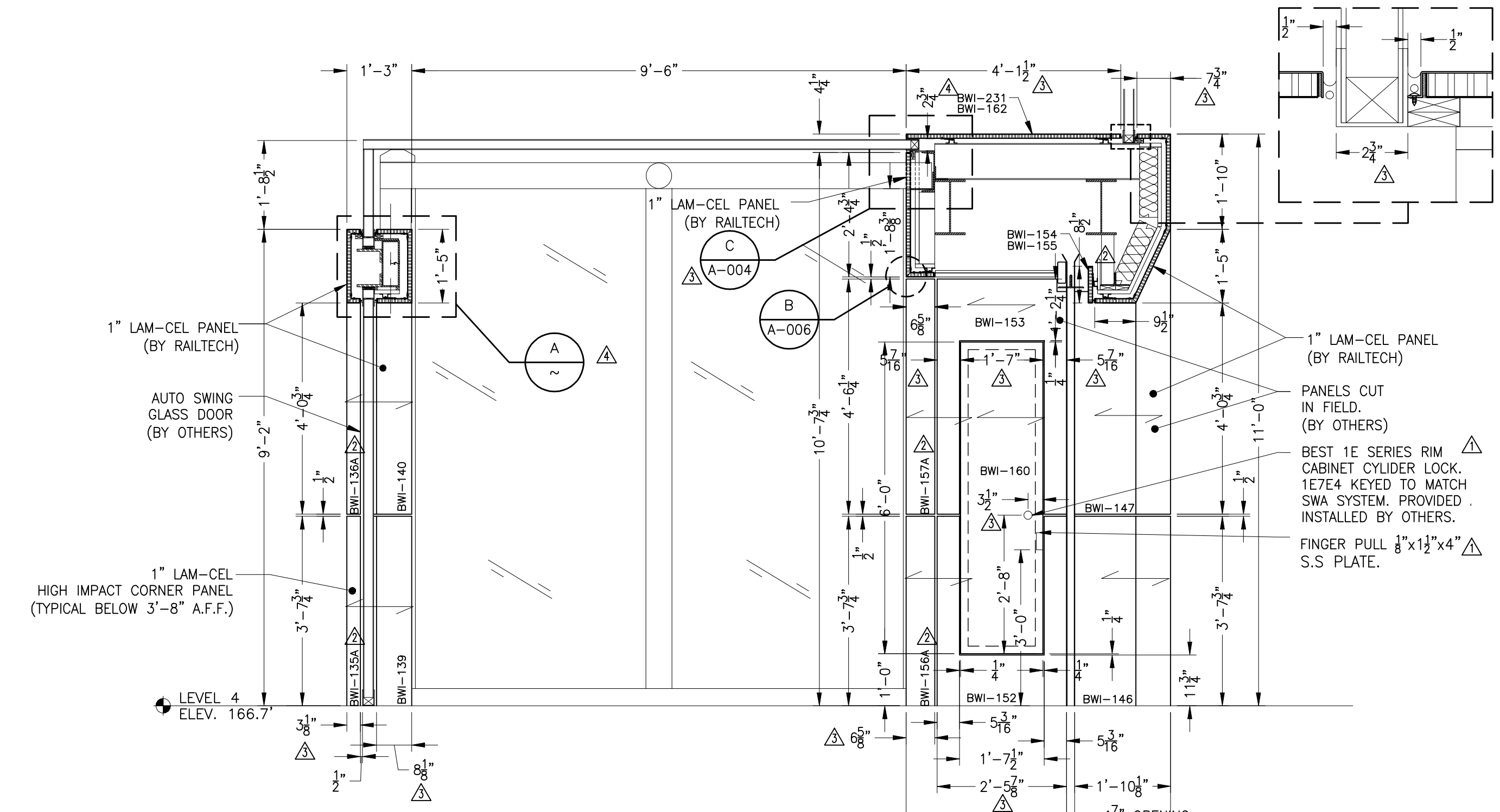
FINISH: #4 BRUSH

CORE: 3/8" CELL SIZE
COMMERCIAL GRADE
ALUMINUM HONEYCOMB
PERFORATED

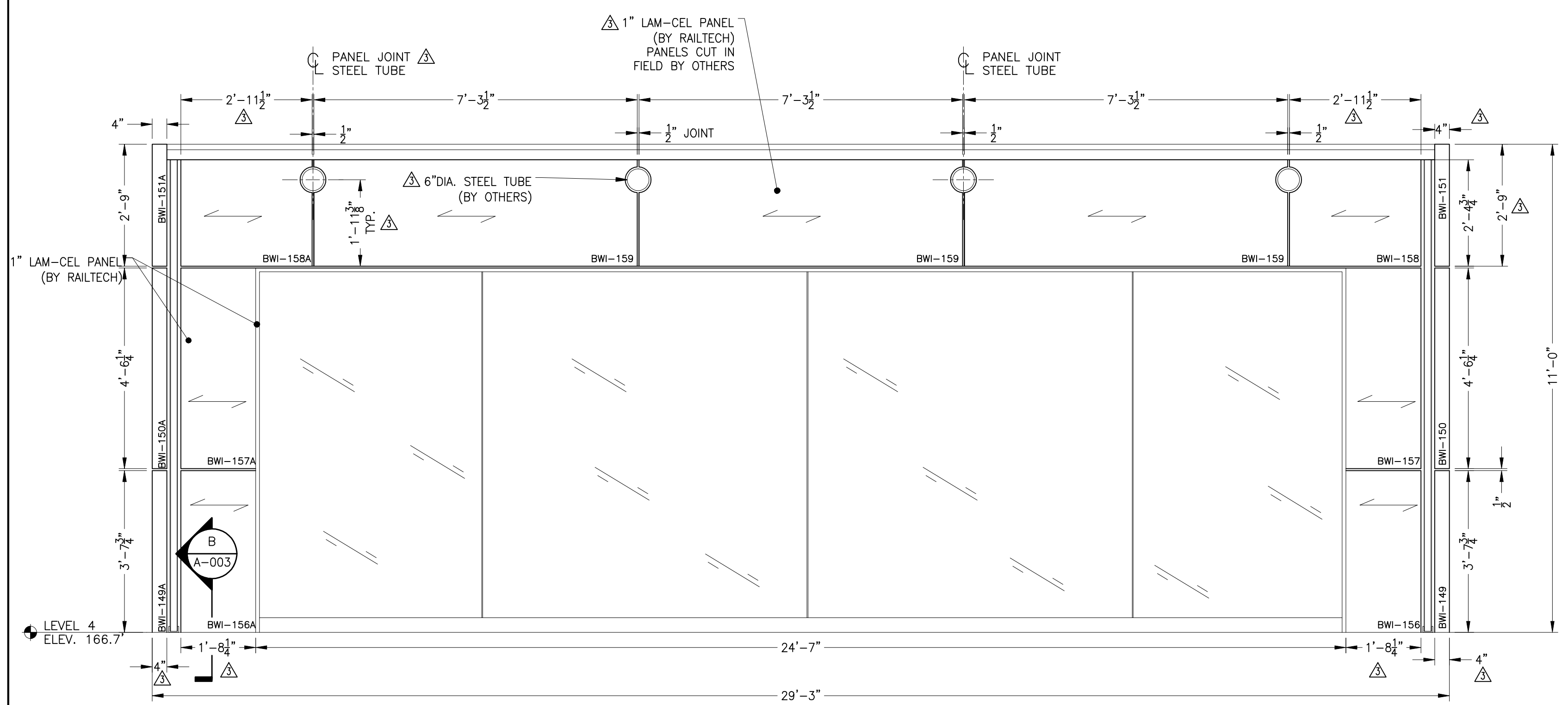
BACKER: 0.040", EPOXY
PRIMED ALUMINUM



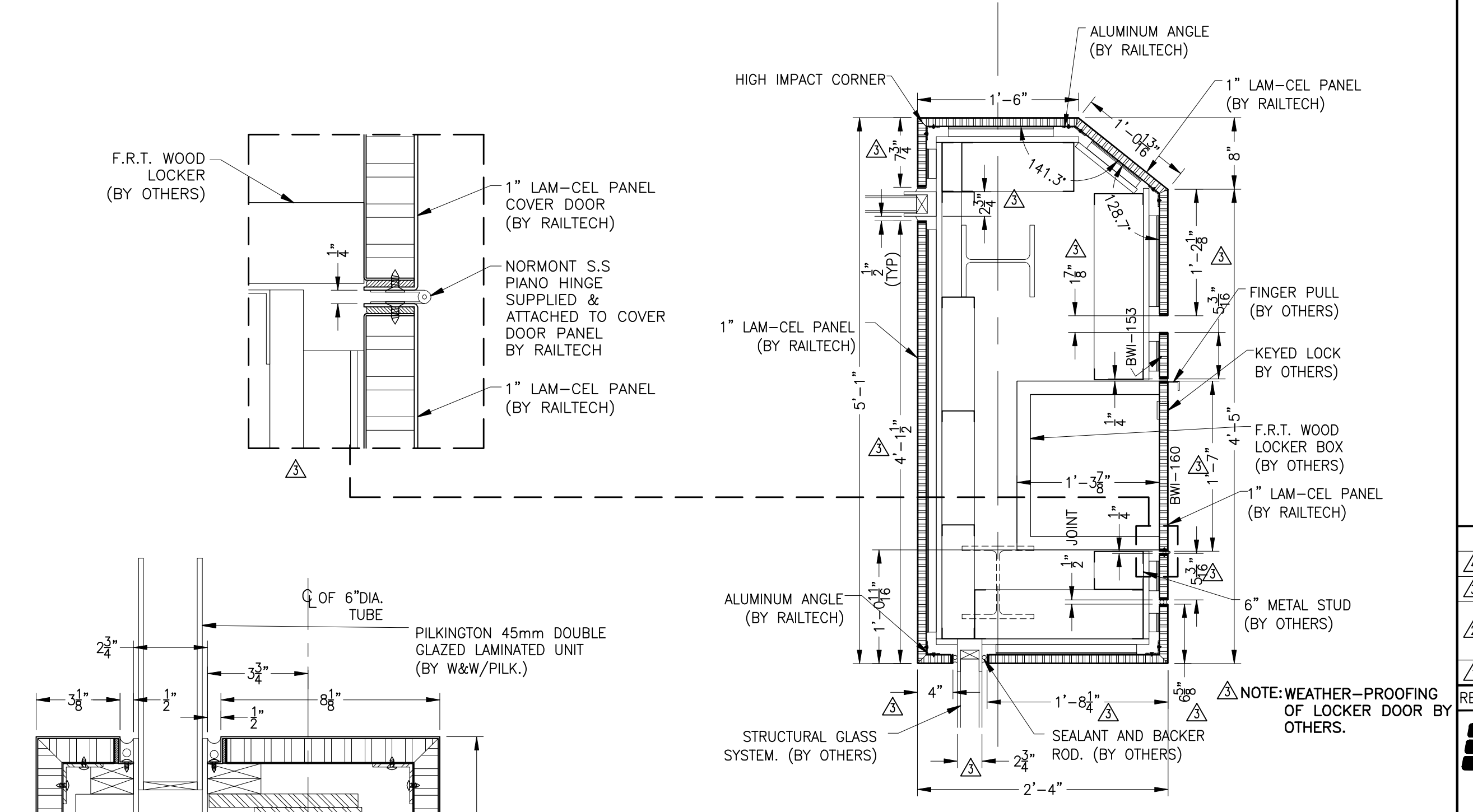
2 ELEVATION
@ CURBSIDE BAGGAGE
A-001 SCALE: 1/2" = 1'-0"



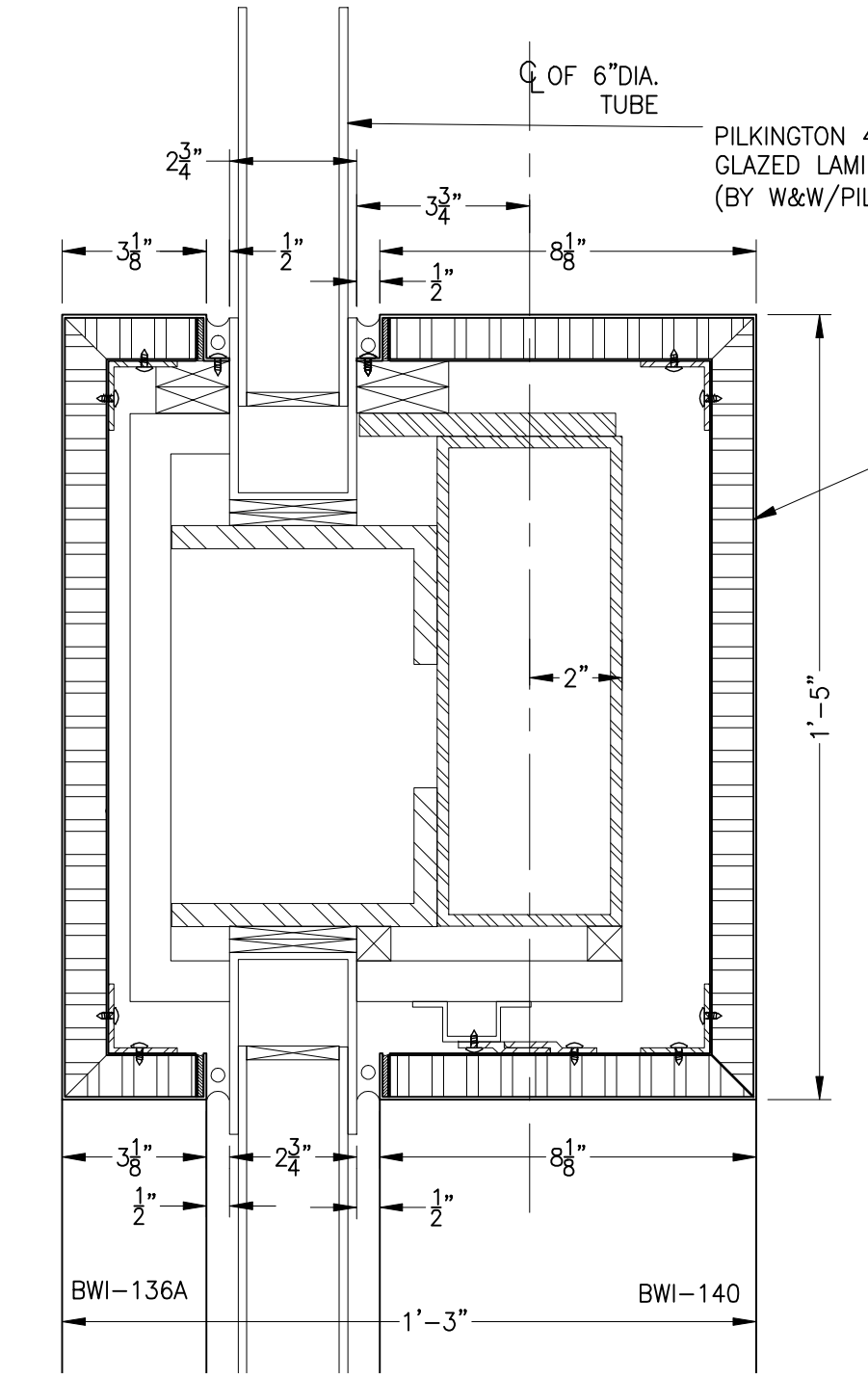
1 SECTION
@ CURBSIDE BAGGAGE
A-001 SCALE: 1/2" = 1'-0"



3 ELEVATION
@ CURBSIDE BAGGAGE
A-001 SCALE: 1/2" = 1'-0"



A DETAIL @ VESTIBULE LOCKER
(T-403 & T-406)
A-001 SCALE: 1" = 1'-0"



A DETAIL
SCALE: 3" = 1'-0"

REV.	DESCRIPTION	BY	DATE	APP
△	REVISED AS REQUESTED	J.A.	13.01.05	
△	REVISED AS REQUESTED	J.A.	06.12.04	M.M.
△	REVISED TAGS, GRAIN DIRECTION MODIFIED PANEL ATTACHMENT MODIFIED PANELS @ SECTION 1	J.C.	05.10.04	M.M.
△	REVISED AS REQUESTED	J.A.	23.07.04	M.M.



Part of the Railtech Architectural Group
18141457-4760 www.lamcel.com info@lamcel.com

client	BALTIMORE WASHINGTON INTERNATIONAL AIRPORT		
project	10199		
contract number	10199		
drawing title	SECTIONS, ELEVATIONS DETAILS		
drawn	J. ALBERT	date	12.05.04
verified		date	
approved	M. McDONALD	date	12.05.04
scale	AS NOTED	drawing number	A-007
		revision	4