

© 2004 RAILTECH COMPOSITES INC.

**LAM-CEL**®  
PANELS

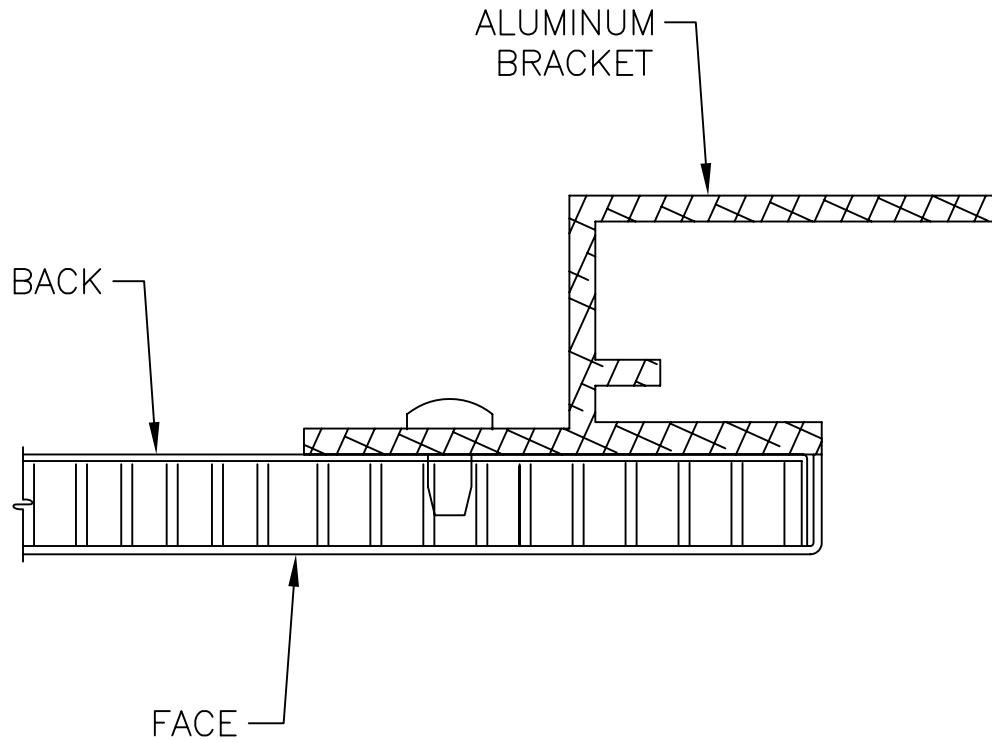
by **RAILTECH**®  
COMPOSITES INC.  
80 Montana Drive  
Plattsburgh, N.Y. 12903

DRAWN	DATE
MEREDITH C.	01.04.04

APPROVED	DATE
----------	------

DESCRIPTION
PANEL ATTACHMENT DETAIL

SCALE	DRAWING NUMBER	REVISION
NTS	GCS 4	0



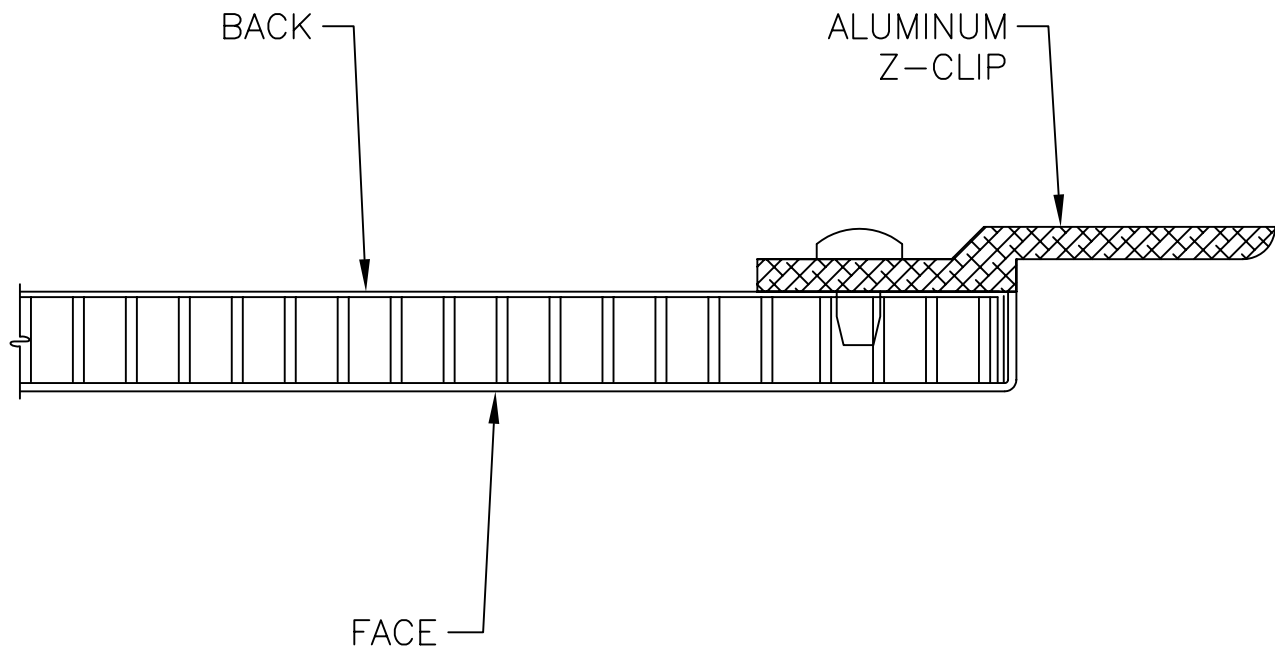
© 2004 RAILTECH COMPOSITES INC.

**LAM-CEL**<sup>®</sup>  
PANELS

by **RAILTECH**<sup>®</sup>  
**COMPOSITES INC.**  
80 Montana Drive  
Plattsburgh, N.Y. 12903

DRAWN		DATE
MEREDITH C.		01.04.04
APPROVED		DATE
SCALE	DRAWING NUMBER	REVISION
NTS	GCS 2	0

DESCRIPTION  
PANEL EDGE DETAIL



© 2004 RAILTECH COMPOSITES INC.

**LAM-CEL**<sup>®</sup>  
PANELS

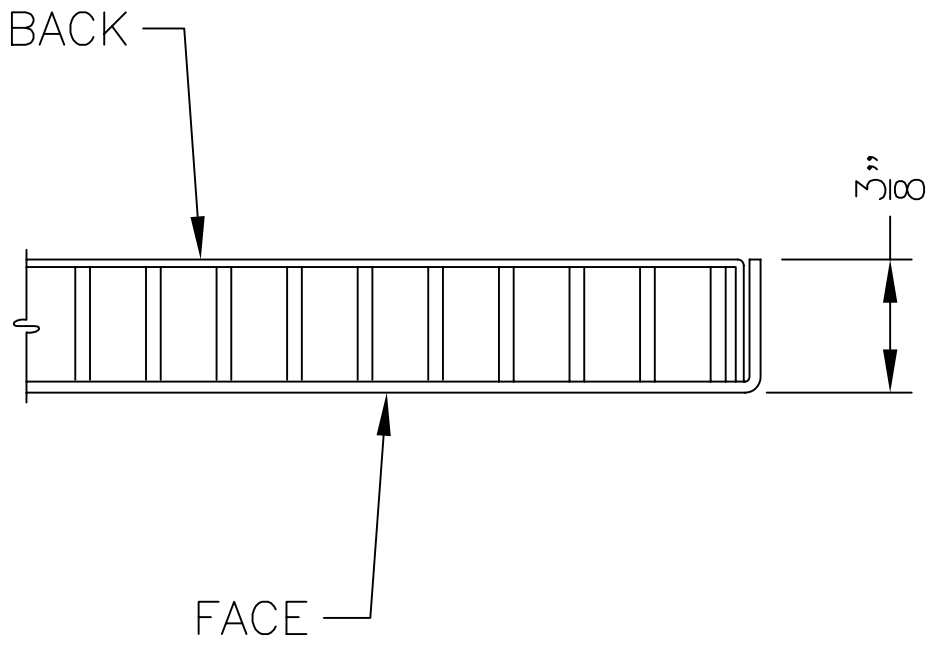
by **RAILTECH**<sup>®</sup>  
COMPOSITES INC.  
80 Montana Drive  
Plattsburgh, N.Y. 12903

DRAWN	DATE
MEREDITH C.	01.04.04

APPROVED	DATE

DESCRIPTION
PANEL EDGE DETAIL

SCALE	DRAWING NUMBER	REVISION
NTS	GCS 1	0



© 2004 RAILTECH COMPOSITES INC.

**LAM-CEL**®  
PANELS

by **RAILTECH**®  
COMPOSITES INC.  
80 Montana Drive  
Plattsburgh, N.Y. 12903

DRAWN	DATE
MEREDITH C.	01.04.04

APPROVED	DATE
----------	------

DESCRIPTION
TYPICAL PANEL EDGE DETAIL

SCALE	DRAWING NUMBER	REVISION
NTS	GCS 3	0