

NOTES

- CO-ORDINATION OF THIS INSTALLATION WITH HEATING, VENTILATION, AIR CONDITIONING & ELECTRICAL WORK IS BY OTHERS.
- RAILTECH REQUIRES WRITTEN APPROVAL OF ALL SHOP DRAWINGS BEFORE STARTING PRODUCTION.
- CUT-OUTS FOR SPRINKLERS, COLUMNS THERMOSTATS, SWITCHES, ETC. ARE DONE IN FIELD BY OTHERS.

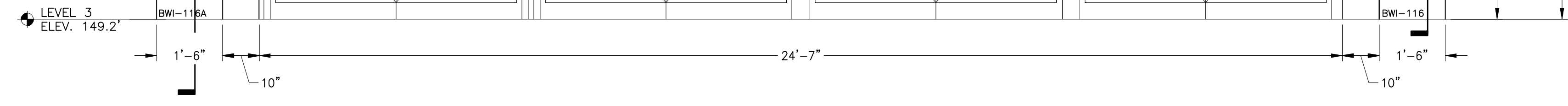
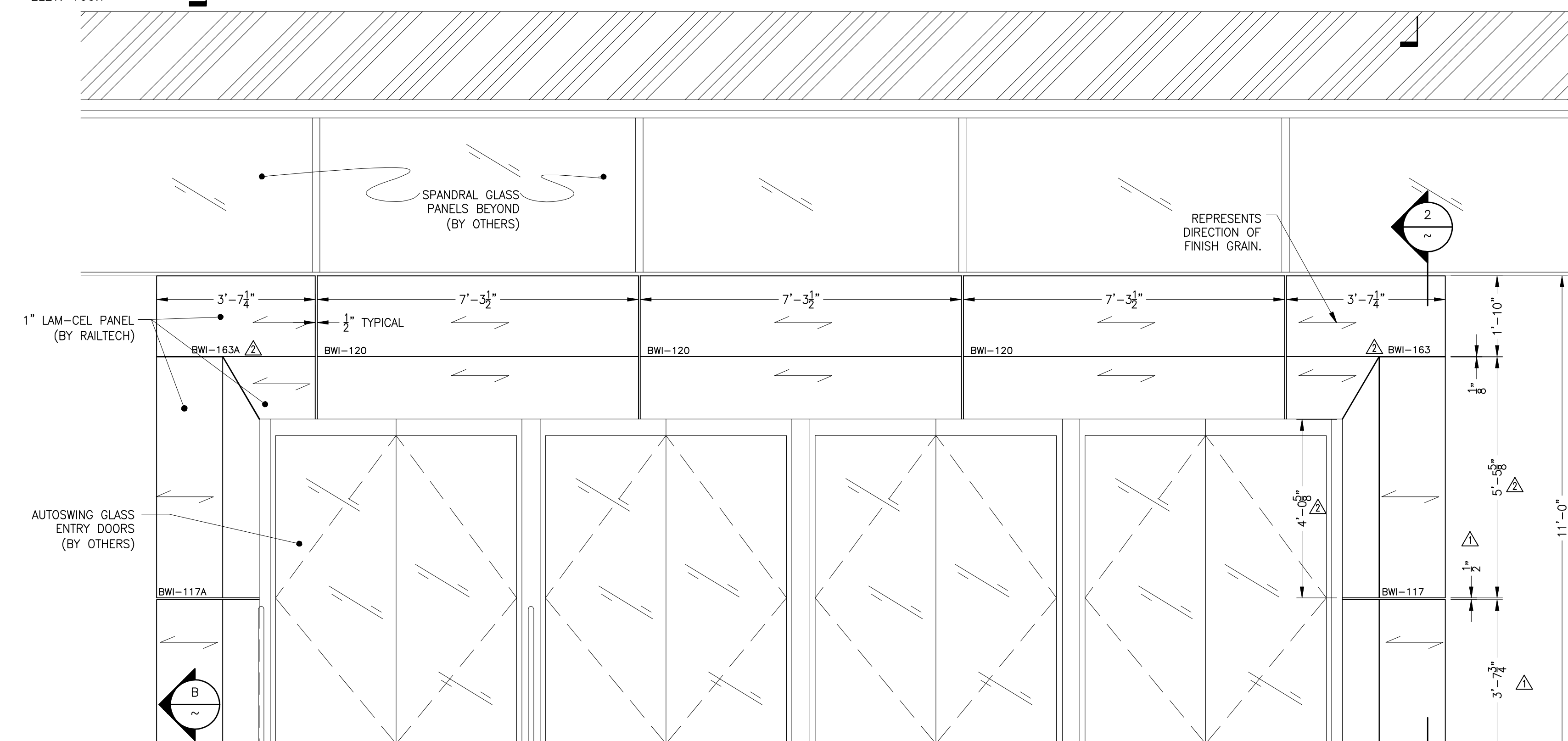
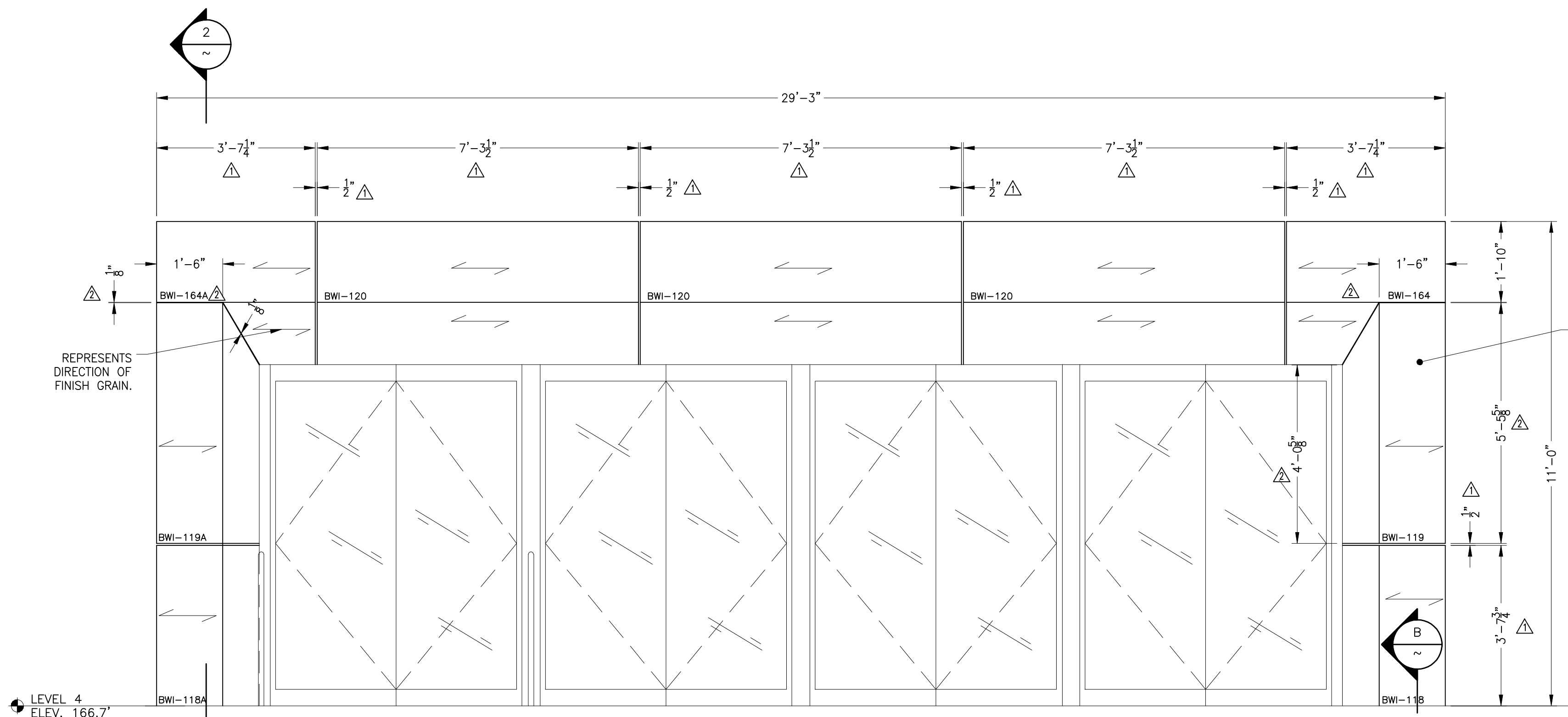
PANEL COMPOSITION

FACE: 0.062"
16 GAUGE
#304 STAINLESS STEEL

FINISH: #4 BRUSH

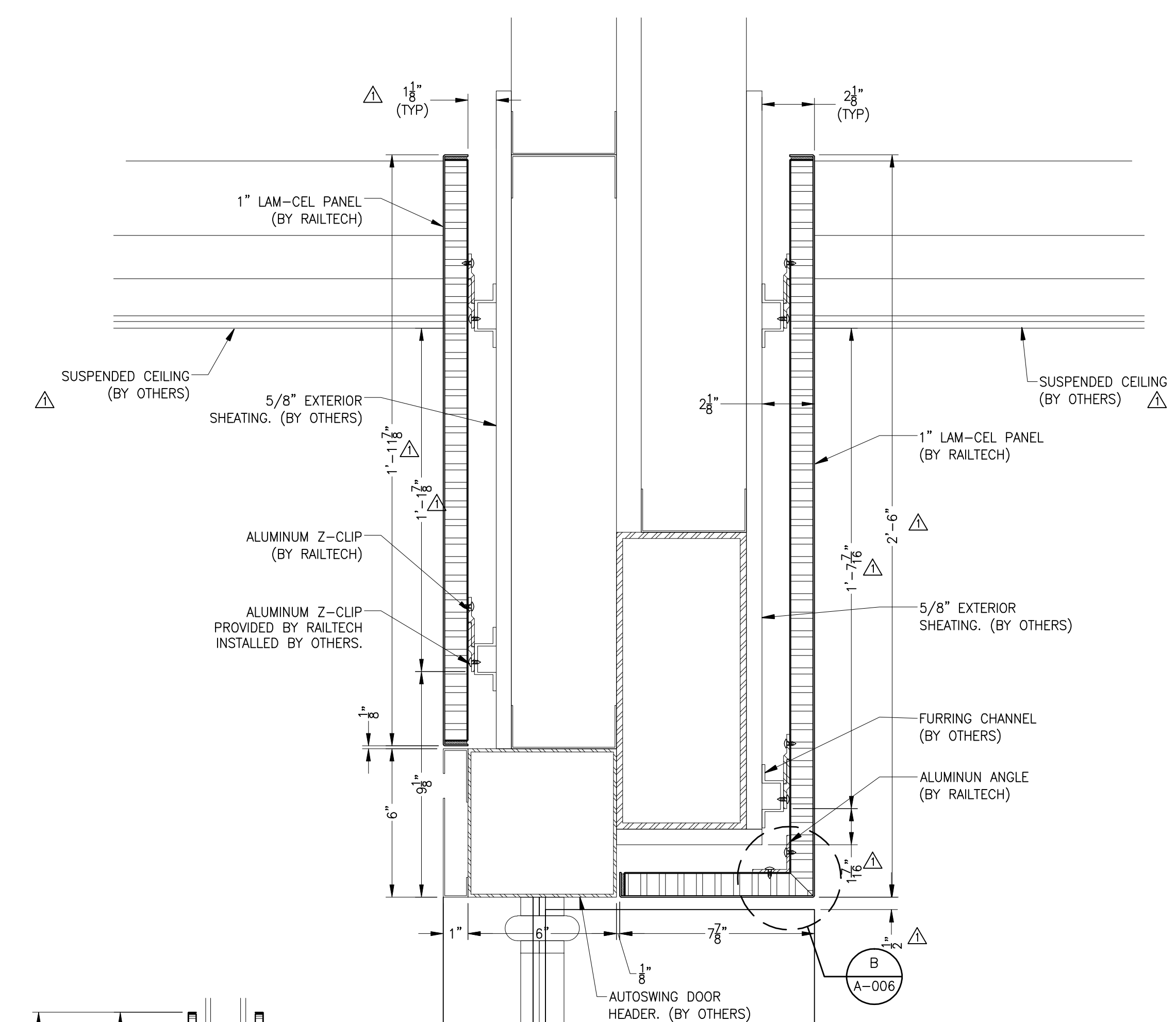
CORE: 3/8" CELL SIZE
COMMERCIAL GRADE
ALUMINUM HONEYCOMB
PERFORATED

BACKER: 0.040" EPOXY
PRIMED ALUMINUM

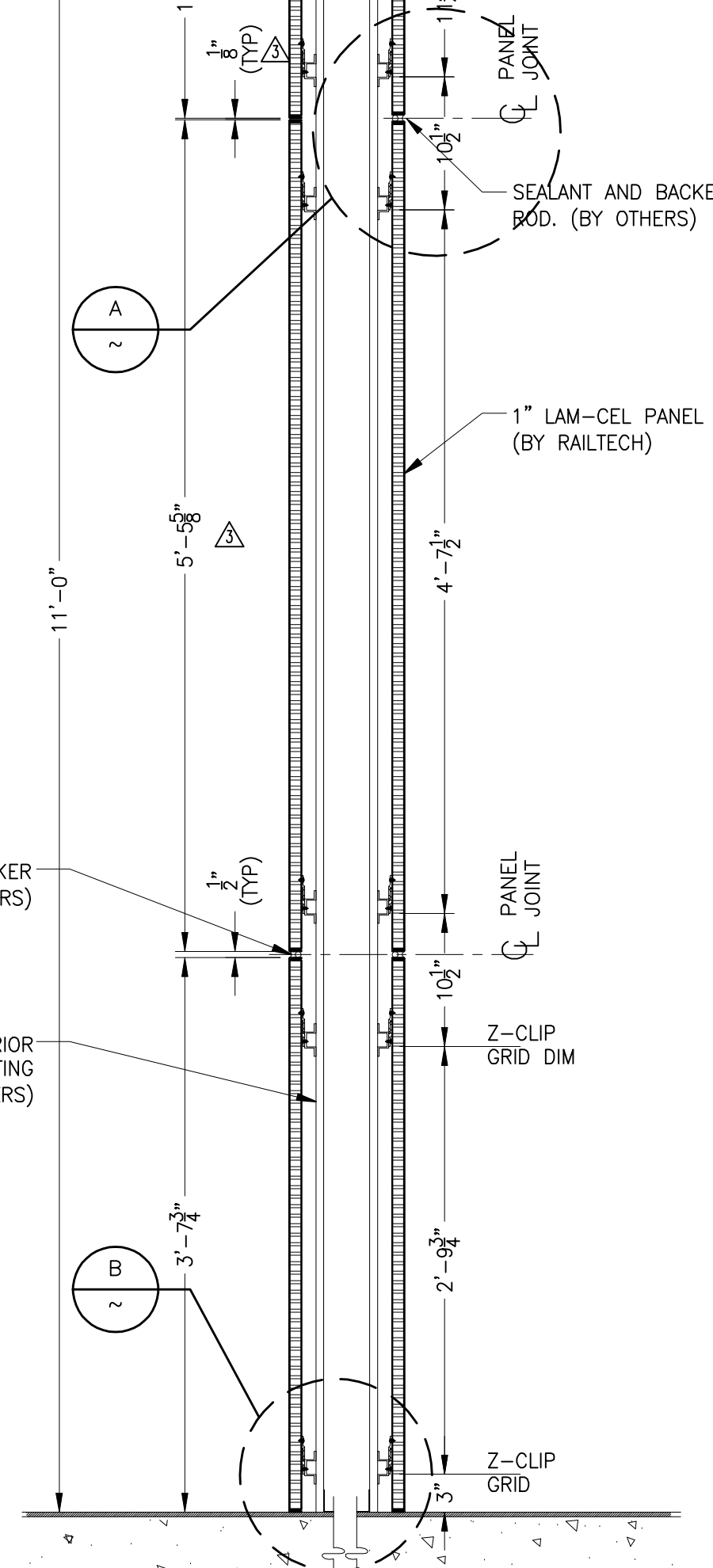


1 PARTIAL EXTERIOR ELEVATION - TYPICAL @ LEVELS 3 & 4 VESTIBULES
A-001 SCALE: 1/2" = 1'-0"

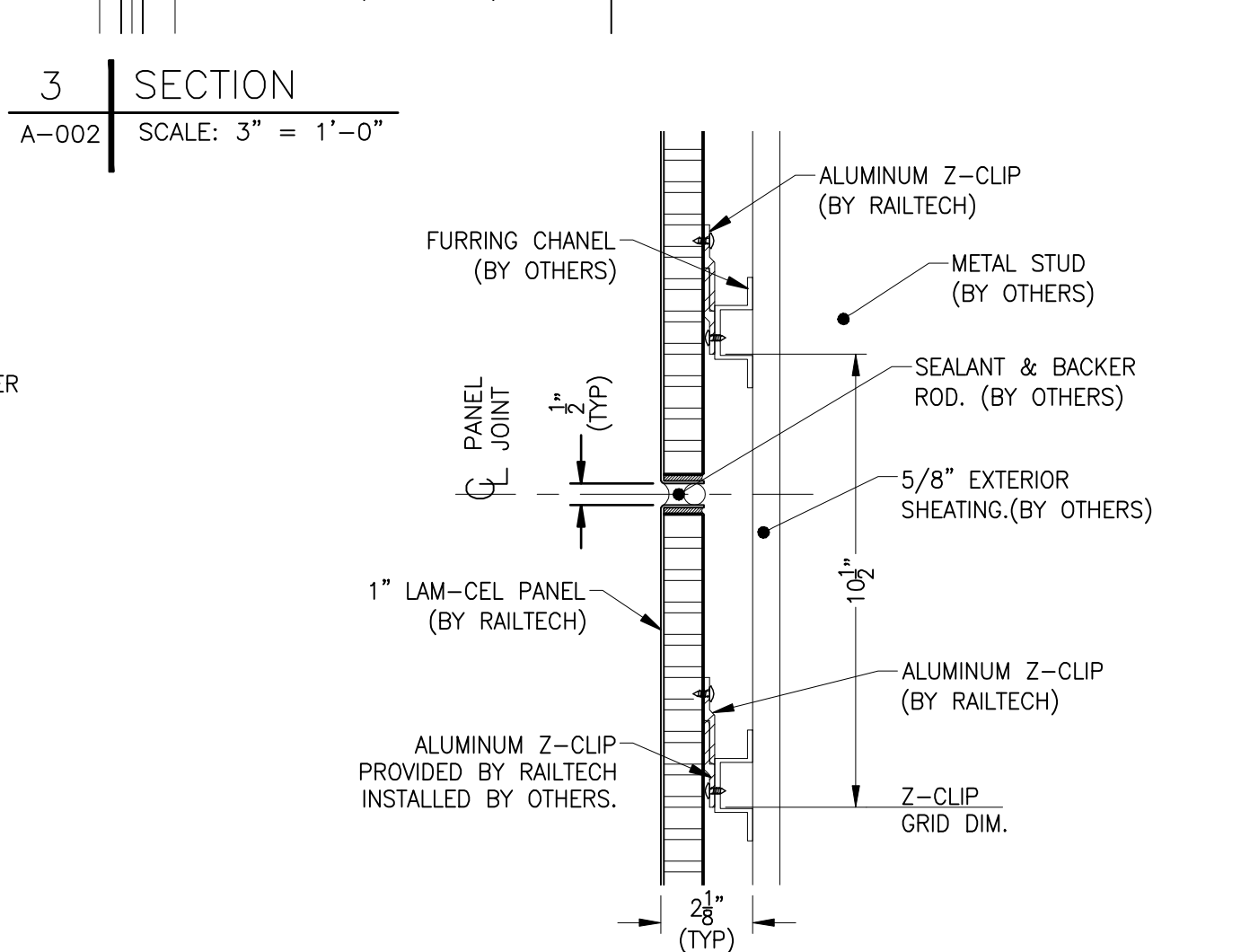
C ALUMINUM Z-CLIP
SCALE: FULL SIZE



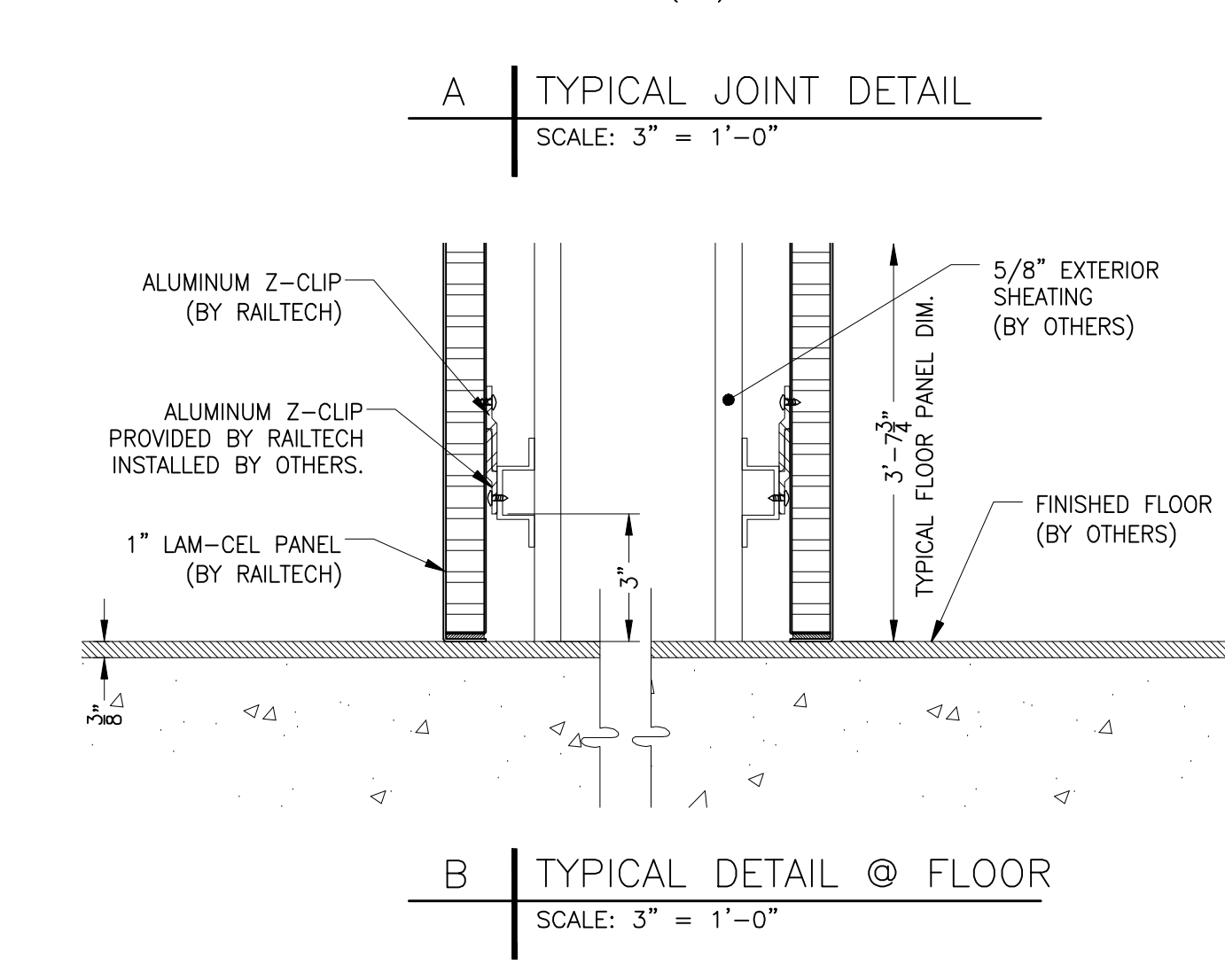
3 SECTION
A-002 SCALE: 3" = 1'-0"



2 TYPICAL WALL SECTION
SCALE: 1" = 1'-0"



A TYPICAL JOINT DETAIL
SCALE: 3" = 1'-0"



B TYPICAL DETAIL @ FLOOR
SCALE: 3" = 1'-0"

REV.	DESCRIPTION	BY	DATE	APP
△	REVISED JOINT DIMENSION AND GRAIN DIRECTION	J.A.	18.08.04	M.M
△	REVISED JOINTS & TAGS	J.A.	03.08.04	M.M
△	RELOCATED DETAIL C, MODIFIED SECTION 3 & PANEL DIMS.	J.A.	25.03.04	M.M

LAMCEL
entrances

Part of the Railtech Architectural Group
(814)457-4760 www.lamcel.com info@lamcel.com

client	
project	BALTIMORE WASHINGTON INTERNATIONAL AIRPORT
contract number	10199
drawing title	ELEVATIONS, SECTIONS AND DETAILS
drawn	J. ALBERT
date	17 NOV. 2003
verified	
date	
approved	M. McDONALD
date	28 NOV. 2003
scale	AS NOTED
drawing number	A-003
revision	3