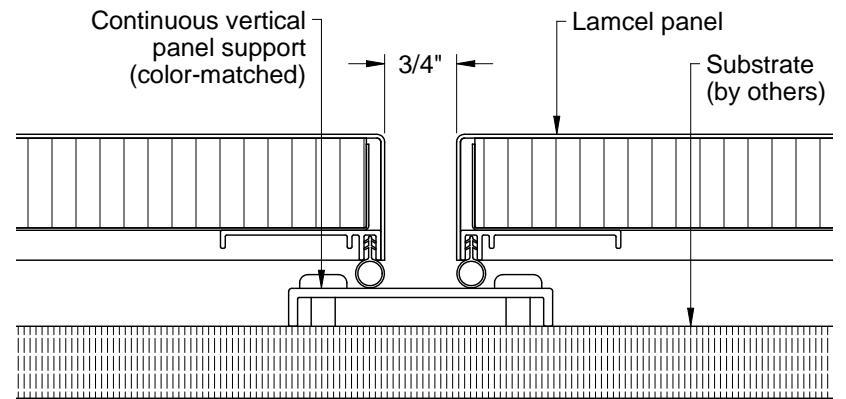


Horizontal section



Vertical section

Dry Gasket System



Part of the Railtech Architectural Group

T: 514-457-4760 www.lamcel.com info@lamcel.com